



# Installation instructions for your new

# RAK3152, RAK3202, RAK3302 Power Supply Kit for Cord or Direct Connection

**Before you begin – Read these instructions completely and carefully.  
IMPORTANT – OBSERVE ALL GOVERNING CODES AND ORDINANCES.**

**Note to Installer – Be sure to leave these instructions with the Consumer.**

**Note to Consumer – Keep these instructions with your Owner’s Manual for future reference.**

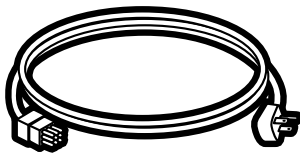
## TOOLS NEEDED

- 1/4" Nut driver
- Phillips screwdriver
- Wire cutter (For direct connect applications only.)

- This kit is for use with 230/208 volt 5200, 5500, and 7500 Series GE Zoneline units only.

## 230/208 VOLT ELECTRICAL SUPPLY

A power supply kit must be used to supply power to the Zoneline unit. The appropriate kit is determined by the voltage, the means of electrical connection, and the amperage of the branch circuit. See the POWER CONNECTION CHART to confirm the appropriate kit.

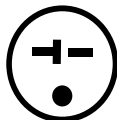


Power supply kit

All wiring, including installation of the receptacle, must be in accordance with the NEC and local codes, ordinances, and regulations.



**Tandem**  
15 Amp



**Perpendicular**  
20 Amp



**Large Tandem**  
30 Amp

230/208 volt receptacle configuration

**CAUTION:** Disconnect the electrical power supply before wiring connections.

## IMPORTANT NOTES

- This unit must be properly grounded.
- The electrical rating marked on the previously installed Zoneline and power supply kit must be the same as the supply branch circuit.
- Aluminum building wiring may present special problems—consult a qualified electrician.
- All wiring, including installation of the receptacle, must be in accordance with the NEC and local codes, ordinances, and regulations.
- Use ONLY the wiring size recommended for single outlet branch circuit.
- Proper current protection is the responsibility of the owner.

### Recommended branch circuit wire sizes\*

Nameplate maximum circuit breaker size	AWG wire size**
15A	14
20A	12
30A	10

AWG – American Wire Gauge  
\* Single circuit breaker from main box  
\*\* Based on copper wire, single-insulated conductor at 60°C

**NOTE:** Use copper conductors only.

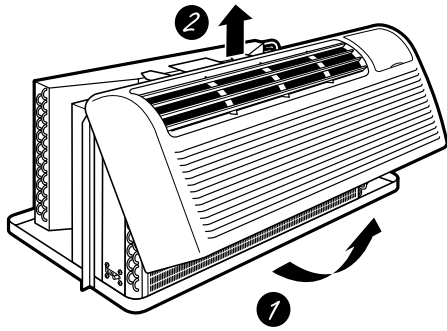
## POWER CONNECTION CHART

GE 230/208 Volt Power Supply Kit	Wall Plug Configuration	Circuit Protective Device	Heater Wattage @ 230/208 Volts
RAK3152	Tandem	15-Amp Time-Delay Fuse or Breaker	2.55/2.09 KW
RAK3202	Perpendicular	20-Amp Time-Delay Fuse or Breaker	3.45/2.82 KW
RAK3302	Large Tandem	30-Amp Time-Delay Fuse or Breaker	5.00/4.10 KW

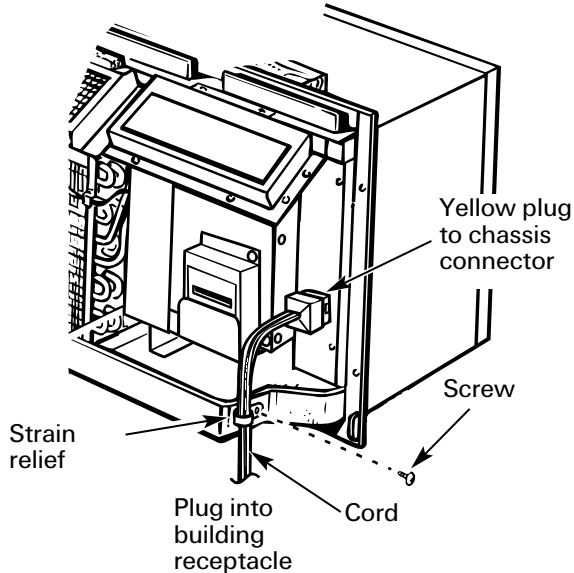
# FOR 230/208 VOLT POWER CORD CONNECTIONS ONLY

## FOR 5200 AND 5500 SERIES MODELS ONLY

1. Remove the room cabinet by pulling it out at the bottom to release it (1); then lift it up to clear the rail along the unit top (2).



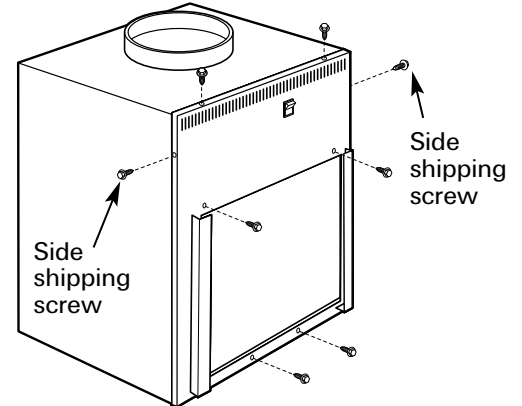
2. Insert the plug into the socket located in the wiring compartment, making sure the plug is firmly seated and the latches secure the connector assembly.



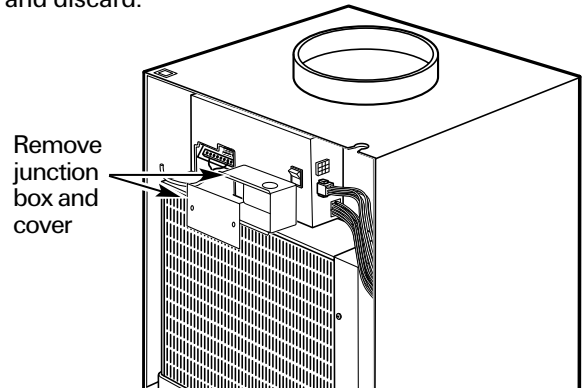
3. Position the cord and install the strain relief and screw as shown.
4. Reinstall the room cabinet front by positioning on the top brackets and securing the sides to the unit.
5. Install the attachment plug cap into the wall receptacle and check the Zoneline operation.

## FOR 7500 SERIES MODELS ONLY

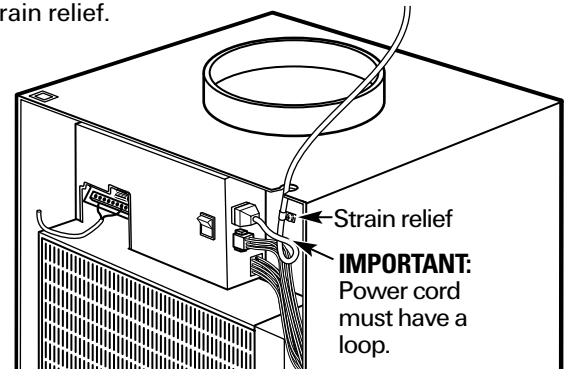
1. Remove the front panel by removing the filter, taking out the four front screws, the upper two screws from the top of the panel, and the shipping screws on each side, if present. (Discard the two side shipping screws, if present.)



2. Remove the junction box cover and the junction box and discard.



3. Connect the power cord, with a loop, through the strain relief.

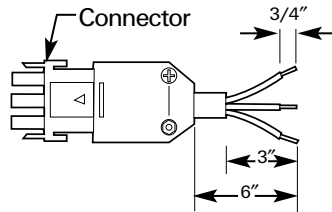


4. Replace the case front panel by replacing the four front screws and the two top screws. Replace the filter.

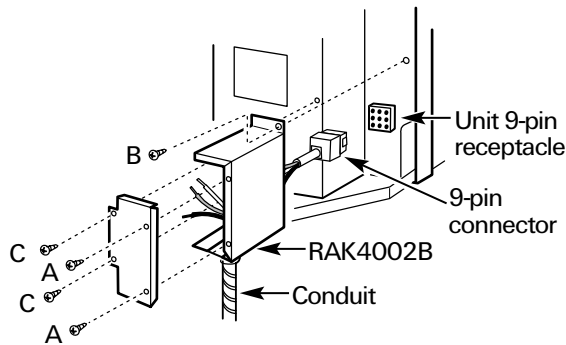
# FOR 230/208 VOLT DIRECT CONNECT APPLICATIONS ONLY

## FOR 5200 AND 5500 SERIES MODELS ONLY (RAK4002B is also required)

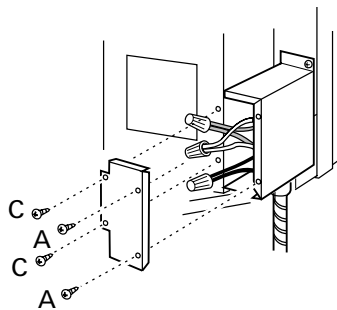
1. Remove the room cabinet front from the unit.
2. Measure 6" down the cord from where it emerges from the back of the yellow 9-pin connector and cut the cord through at this point.
3. Carefully remove 3" of the cordset insulation so as to expose the three insulated wires.
4. Strip 3/4" of the insulation away at the end of each of the three wires (L1, Neutral, and Ground).



5. Remove the 2 "A" screws (from the RAK4002B kit) and remove the cover from the box.
6. Use the round knockout at the bottom of the junction box to attach conduit coming from the branch circuit. Leave 6" of wire free at the end of the conduit to allow connections to be made.

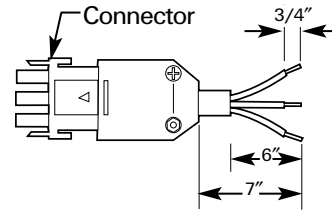


7. Install the box to the unit with the "B" screw. Be sure the tab and the box wall at the lower right rear corner of the box straddle the barrier.
8. Connect the branch circuit conductors to the stripped cord leads with field-supplied wire nuts.
9. Plug the 9-pin connector fully into place in the unit, mating with the 9-pin receptacle. Be sure the locking tabs at the top and bottom are engaged.
10. Dress the wiring inside the junction box and attach the cover plate with screws "A" and "C."
11. Reinstall the room cabinet front.

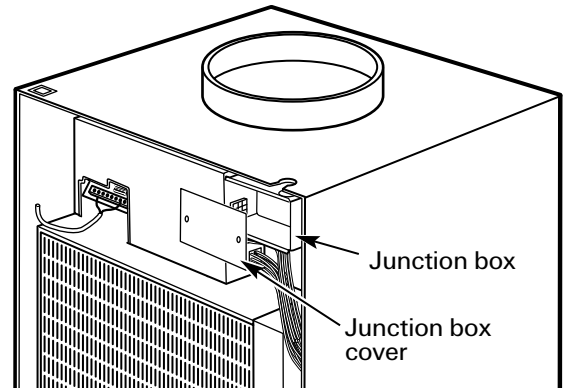


## FOR 7500 SERIES MODELS ONLY

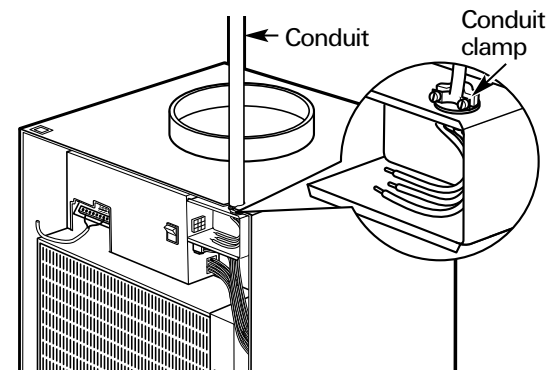
1. Measure 7" down the cord from where it emerges from the back of the yellow 9-pin connector and cut the cord through at this point.
2. Carefully remove 6" of the cordset insulation so as to expose the three insulated wires.
3. Strip 3/4" of the insulation away at the end of each of the three wires (L1, L2, and Ground).



4. Remove the unit front panel by removing the filter, taking out the four front screws, the upper two screws from the top of the panel, and the shipping screws on each side, if present. (Discard the two side shipping screws, if present.)
5. Remove the junction box cover by taking out the front two screws.



6. Use the round knockout hole at the top of the junction box to install conduit coming from the branch circuit. Install and clamp the conduit through the conduit clamp and bring wire leads into the junction box. Leave 8" of wire free from the end of the conduit.



# FOR 230/208 VOLT DIRECT CONNECT APPLICATIONS ONLY

## FOR 7500 SERIES MODELS ONLY

7. Make all wire connections by using appropriate UL-listed electrical connectors and techniques.
8. Select the applicable wiring situation and follow the instructions accordingly:

- **1-Phase 220-240 VAC**

*When connecting the Zonline to a single-phase circuit for 230V applications:*

Connect the white and black leads of the Zonline power supply kit to the branch circuit L1 and L2 leads. (The white lead of the power supply kit should be identified by the installer using electrical tape with some color other than green or white.) Connect the green lead of the power supply kit to the power supply and branch circuit ground.

- **3-Phase 208 VAC**

*When connecting the Zonline to a three-phase circuit for 208V applications:*

Connect the white and black leads of the Zonline power supply kit to the branch circuit L1 and L2 leads. (The white lead of the power supply kit should be identified by the installer using electrical tape with some color other than green or white.) Connect the green lead of the power supply kit to the power supply and branch circuit ground.

- **3-Phase 208 VAC with "Crazy Leg"**

*When connecting the Zonline to a three-phase circuit with "Crazy Leg" for 208V applications:*

Connect the white and black leads of the Zonline power supply kit to the branch circuit Neutral and L1 leads. (The white lead of the power supply kit should be connected to neutral.) Connect the green lead of the power supply kit to the power supply and branch circuit ground.

9. Be sure that all wire leads are inside the junction box and not pinched between the box and the unit. The green insulated ground wire from the Zonline **MUST** be connected to the branch circuit ground wire.
10. Plug the 9-pin connector into the 9-pin receptacle in the junction box.
11. Replace the junction box cover by replacing the two screws removed earlier.
12. Replace the case front panel by replacing the four front screws and the two top screws. Replace the filter.

