



# Zoneline® Vertical AIR CONDITIONER

## SAFETY INFORMATION .....3

### USING THE ZONELINE

- Power Disconnect .....4
- Ventilation Control.....4
- Room Freeze Protection.....4
- About your Heat Pump .....4

### CARE AND CLEANING

- Air Filters.....5
- Drain.....5
- Indoor/Outdoor Coils .....6
- Base Pan .....6

### INSTALLATION INSTRUCTIONS

- Preparation ..... 7, 8
- Ductwork .....8
- Accessories.....9
- Return Air Grille Options.....10
- Utility Closet Connection Locations ..10
- Typical Closet and Dimensions ..... 11
- Installation Sequence .....12
- Plenum Installation .....12
- Grille Installation .....12
- Build Base Platform .....12
- Drain connection .....13
- Connect the Top Duct.....14
- Thermostat .....15, 16
- Electrical Connection.....17, 18
- Installation Checklist .....18
- Connect Power .....18

### TROUBLESHOOTING TIPS

- Normal Operating Sounds .....19
- Troubleshooting Tips.....20
- Error Codes.....21

### CONSUMER SUPPORT

- Product Registration ..... 23, 24
- Warranty .....25
- Consumer Support.....26

Write the model and serial numbers here:

Model # \_\_\_\_\_

Serial # \_\_\_\_\_

You can find them on a label on the top panel.

## OWNER'S MANUAL

Heat Pump Models  
AZ91  
Large Chassis

### ESPAÑOL

For a Spanish version of this manual, visit our Website at [www.zoneline.com](http://www.zoneline.com).

Para consultar una version en español de este manual de instrucciones, visite nuestro sitio de internet [www.zoneline.com](http://www.zoneline.com).

### FRANÇAIS

For a French version of this manual, visit our Website at [www.zoneline.com](http://www.zoneline.com).

Pour un version français de ce manuel d'utilisation, veuillez visiter notre site web à l'adresse [www.zoneline.com](http://www.zoneline.com).

## **THANK YOU FOR MAKING GE APPLIANCES A PART OF YOUR HOME.**

---

Whether you grew up with GE Appliances, or this is your first, we're happy to have you in the family.

We take pride in the craftsmanship, innovation and design that goes into every GE Appliances product, and we think you will too. Among other things, registration of your appliance ensures that we can deliver important product information and warranty details when you need them.

Register your GE appliance now online. Helpful websites and phone numbers are available in the Consumer Support section of this Owner's Manual. You may also mail in the pre-printed registration card included in the back of this manual.



**GE APPLIANCES**

# IMPORTANT SAFETY INFORMATION

## READ ALL INSTRUCTIONS BEFORE USING THE APPLIANCE

### WARNING

For your safety, the information in this manual must be followed to minimize the risk of fire, explosion, electric shock, property damage, personal injury, or loss of life.

## SAFETY PRECAUTIONS

- This Zoneline must be properly installed in accordance with the Installation Instructions before it is used. See the Installation Instructions in the back of this manual.
- Disconnect the Zoneline at the fuse box or circuit breaker before making any repairs.

**NOTE:** We strongly recommend that any servicing be performed by a qualified individual.

- All air conditioners contain refrigerants, which under federal law must be removed prior to product disposal. If you are getting rid of an old product with refrigerants, check with the company handling disposal about what to do.
- These R410A air conditioning systems require contractors and technicians to use tools, equipment and safety standards approved for use with this refrigerant. **DO NOT use equipment certified for R22 refrigerant only.**

**READ AND SAVE THESE INSTRUCTIONS**

# Features

## Power Disconnect

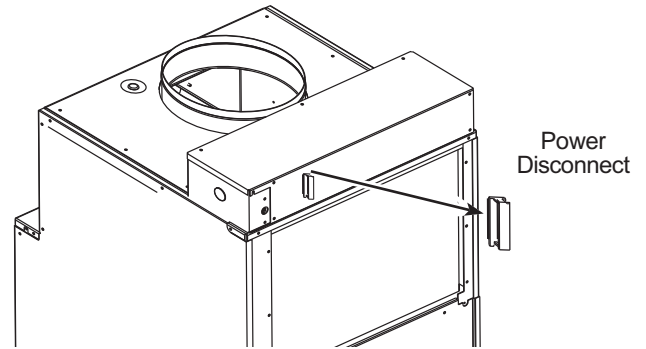
The power disconnect is located on the front of the Zoneline.

**NOTE:** The power disconnect does not remove power from the terminal block located under the control box panel.

**⚠ WARNING Electric Shock Hazard**

Before servicing, disconnect power to the Zoneline at the fuse box or circuit breaker and pull out electrical disconnect on front of the chassis.

Failure to do so can result in personal injury and/or death.



## Ventilation Control

The ventilation control lever is located on the front of the Zoneline unit.

When the lever is in the **CLOSE** position, only the air inside the room is circulated and filtered.

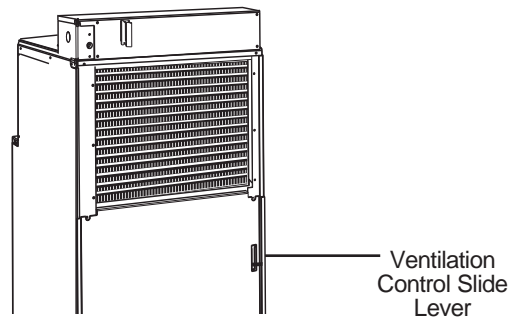
When the lever is in the **OPEN** position, some outdoor air will be drawn into the room. This will reduce the heating or cooling efficiency.

**To close the vent,** move the slide lever up.

**To open the vent,** move the slide lever down.

**Energy Tip:** Keep the vent control in the **CLOSE** position. The room air will be filtered and circulated.

**NOTE:** Ventilation openings are not intended to be the source of make-up air for building ventilation systems due to the additional heating and cooling loads generated.



## Room Freeze Protection

This feature will monitor the indoor room conditions and in the event that the room falls below 40° the unit will cycle on high fan with the electric heater. This occurs regardless of mode as long as power is applied to the unit.

## About Your Heat Pump (on some models)

Heat pumps can reduce operating costs by exchanging heat from the outside air—even when the outside temperature is below freezing— and releasing that heat indoors.

To get the best economic benefit from your heat pump, don't change the room thermostat setting very often. Raising the heat setting 2–3 degrees will cause the Zoneline to use its electric heating elements in order to reach the new temperature setting quickly.

There is a three minute minimum compressor run time at any setting to prevent short cycling.

The indoor fan motor starts before the compressor and stops after the compressor cycles off.

The electric heating elements use much more electricity than heat pumps and cost more to operate.

# Care and Cleaning

## Air Filters

**NOTICE: Do not operate the Zoneline without the filter in place. If a filter becomes torn or damaged, it should be replaced immediately.**

Operating without the filter in place or with a damaged filter will allow dirt and dust to reach the indoor coil and reduce the cooling/heating, performance, airflow and efficiency of the unit.

The most important thing you can do to maintain the Zoneline is to change the filter at least every 30 days. Dirty filters reduce cooling, heating performance and air flow.

**Changing the filter will:** Decrease cost of operation, save energy, prevent clogged heat exchanger coils and reduce the risk of premature component failure.

Replacement filters should be purchased from your local retailer where air conditioner and furnace accessories are sold.

Filter size for front of unit is 14" x 20" x 1".

Filter size for RAVRG2 are 20" x 20".

Filter size for RAVRG3 is 25" x 20".

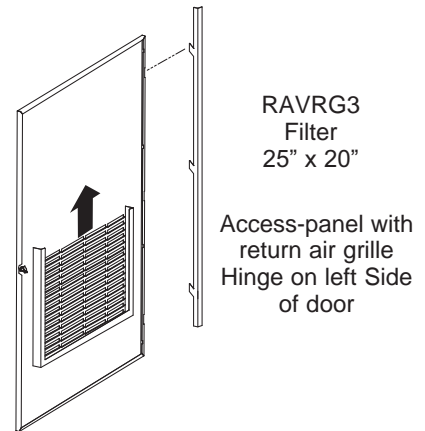
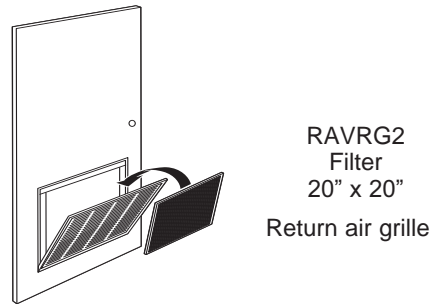
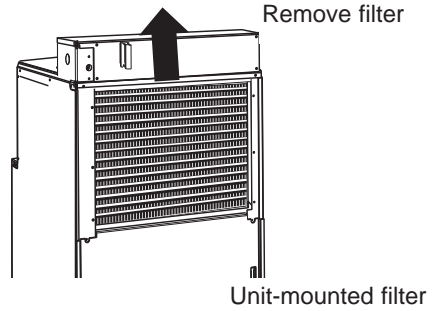
**NOTE: Use only one filter in the installation.**

**To replace the filter (chassis mounted return air filter):**

1. Slide the filter to the right or left to clear the filter holders or rotate upper filter holder to clear top of the filter.
2. Remove the filter.
3. Install new disposable filter.

**To maintain optimum performance, change the filter at least every 30 days.**

To remove and replace the filter:



## Drain

**Clean the drain system regularly to prevent clogging.**

The condensate drain must be routed to a suitable drainage area. Check the unit condensate drain periodically. Keep it free of anything that may block or impeded the flow of condensate water. If there is any accumulation of foreign matter in the drain pipe, it should be removed and cleaned. The entire drain line must be protected from freezing.

# Care and Cleaning

## Indoor/Outdoor Coils

The Indoor/Outdoor coils on the Zoneline should be cleaned and checked regularly.

**NOTE:** When cleaning the coils do not use acid based coil cleaners. Care must be taken to avoid bending the aluminum fins on the coils.

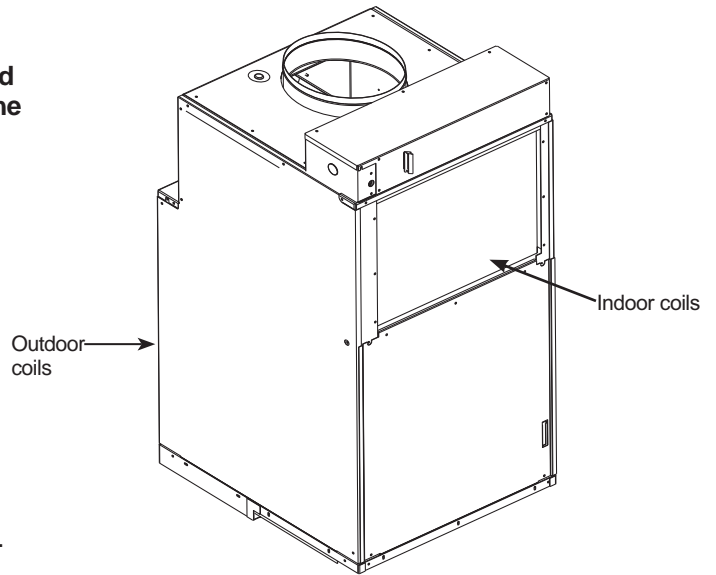
### Indoor-Air Coil

Minor amounts of lint and dirt may pass through the filter and collect on the indoor-air coil. These minor accumulations can be carefully vacuumed away with a brush attachment on a vacuum cleaner or professionally steam cleaned away.

### Outdoor-Air Coil

The unit's outdoor-air intake and outdoor-air exhaust paths must remain clear. Check the outdoor-air exhaust frequently. Keep it free of all debris, snow, or ice. The outdoor-air intake should also be kept free of obstructions. Blocking the outdoor-air exhaust or outdoor-air intake opening will reduce the efficiency of your unit and could cause premature compressor failure.

Inspection and cleaning of the outdoor-air coils may require the unit to be removed from the closet. See servicing section of this manual for instructions on how to remove the unit.



Have the coils cleaned regularly.

## Base Pan

In some installations, dirt or other debris may be blown into the unit from the outside and settle in the base pan (the bottom of the unit).

In some areas of the United States, a "gel-like" substance may be present in the base pan.

Check it periodically and clean, if necessary.

# Installation Preparation

Questions? Call 844-GE4-PTAC (or 844-434-7822 ) or Visit our Website at: [GEAppliances.com](http://GEAppliances.com)

## BEFORE YOU BEGIN

Read these instructions completely and carefully.

- **IMPORTANT** — Save these instructions for local inspector's use.
- **IMPORTANT** — Observe all governing codes and ordinances.
- **Note to Installer** — Be sure to leave these instructions with the owner.
- **Note to Owner** — Keep these instructions for future reference.
- Proper installation is the responsibility of the installer.
- Product failure due to improper installation is not covered under the Warranty.
- You must use all supplied parts and use proper installation procedures as described in these instructions when installing this air conditioner.

## IMPORTANT ELECTRICAL SAFETY—READ CAREFULLY

### WARNING

- All electrical connections and wiring **MUST** be installed by a qualified electrician.
- Follow the National Electrical Code (NEC) and local codes and ordinances.
- For personal safety, this Zoneline must be properly grounded.
- Protective devices (fuses or circuit breakers) acceptable for Zoneline installations are specified on the nameplate of each unit.
- Do not use an extension cord with this unit.
- Aluminum building wiring may present special problems—consult a qualified electrician.
- When the unit is not running there is still voltage to the electrical controls.
- Disconnect the power to the unit before servicing by removing the branch circuit fuses or turning the circuit breakers off at the panel.

## ELECTRICAL REQUIREMENTS

Wire Size	Use <b>ONLY</b> wire size recommended for single outlet branch circuit
Fuse/Circuit Breaker	User <b>ONLY</b> type and size fuse or HACR circuit breaker indicated on units rating plate. Proper over current protection to the units is the responsibility of the owner.
Grounding	Unit <b>MUST</b> be grounded from branch circuit to unit, or through separate ground wire provided on permanently connected units. Be sure that branch circuit is grounded.
Wire Sizing	Use recommended wire size given in tables and install a single branch circuit. All wiring must comply with local and national codes. <b>NOTE: Use copper conductors only.</b>

**NOTE: All field wiring must comply with NEC and local codes. It is the responsibility of the installer to insure that the electrical codes are met.**

- Use **ONLY** the wiring size recommended for single outlet branch circuit.
- Proper current protection is the responsibility of the owner.

### Recommended branch circuit wire sizes\*

Nameplate maximum circuit breaker size	AWG Wire size**
15A	14
20A	12
30A	10

AWG – American Wire Gauge

\* Single circuit breaker from main box

\*\* Based on 100' or less of copper wire, single insulated conductor at 60° C. Wire sizes are per NEC.

**NOTE: Use copper conductors only.**

# Installation Preparation

## Indoor Air Flow Data

Indoor air flow may be determined by measuring the external static pressure (ESP) of the duct system using an inclined manometer or magnehelic gauge, then consulting chart "A" to determine actual air flow. Use the air flow correction multipliers contained in chart "B" to determine accurate air flow under the listed conditions. Under no circumstances should the SPVU equipment be operated at an external static pressure in excess of .30" W.C. Operation of the SPVU under these conditions will result in inadequate air flow leading to poor performance and/or premature component failure.

**Chart A - CFM - Determining the Indoor CFM**

Models		
AZ91H18D°C/ AZ91H18E°C		
Fan Speed	Low	High
ESP(")	CFM	
.10"	420	465
.15"	390	420
.20"	345	380
.25"	300	325
.30"	255	280

ESP = external static pressure in inches water column

Rated CFM at High Speed:

AZ91H18D°C/AZ91H18E°C = 465

For single speed thermostats connect to the GL terminal for Low Speed or GH terminal for High Speed. Two speed control thermostats will use both terminals.

**Chart B - Correction Multipliers  
Correct CFM (if needed)**

Correction Multipliers for:	
230V	1.00
208V	0.97
Heating	1.00
Cooling	0.95

Your airflow should be balanced based on many factors, such as available ESP, room CFM, and ductwork. Consult an HVAC engineer for proper applications. External static pressure (ESP) can be measured with a manometer or pitot tube. Once this ESP is established, you can calculate the CFM using the above chart.

Higher CFMs tend to increase SENSIBLE capacity, enhance room circulation and increase duct noise, while lower CFMs tend to increase LATENT capacity and reduce noise.

## Ductwork

The supply duct system should be designed via a recognized method such as the equal friction method, or velocity reduction method, using the appropriate duct calculator(s) for the type(s) of duct (i.e. metal duct, duct board, or flex duct) being used in the system. The duct system should be designed for a maximum friction rate of .30" water column taking into consideration all fittings, registers and/or diffusers. **DO NOT operate unit without a supply duct attached.**

The return air to SPVU series units MUST NOT be ducted, and all units MUST have a free return air configuration to perform properly.

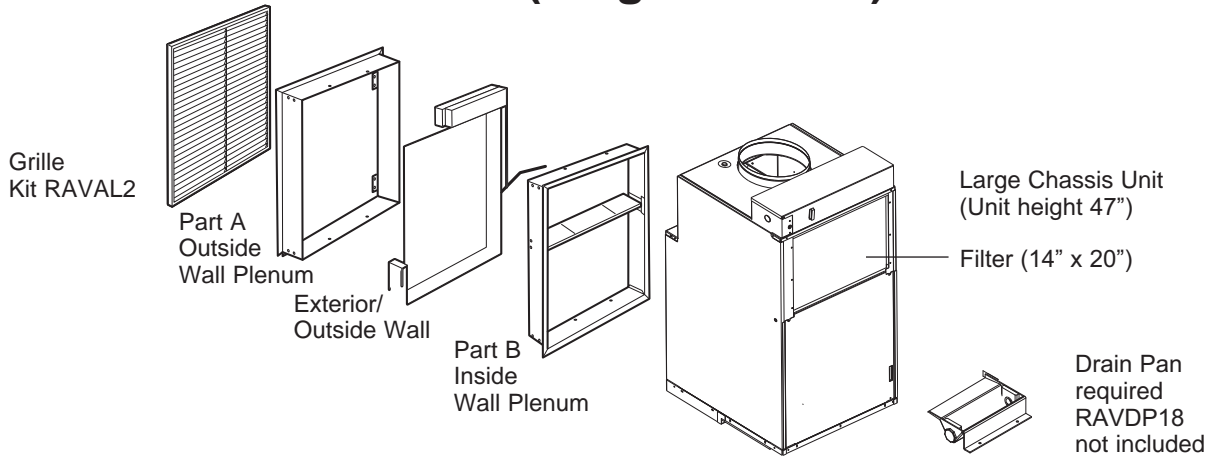
The total flow rate (CFM) and external static pressure (ESP) available can be estimated from the chart to the left. Use these charts to select your fan speed setting.

The collar on top of the unit accepts standard 10" duct. Pull all duct tight. Extra duct slack can greatly increase static pressure.

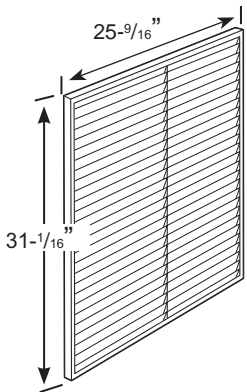
**NOTICE:** Flex duct can collapse and cause airflow restrictions. Do not use flex duct for 90° bends or unsupported runs of 5 ft. or more.



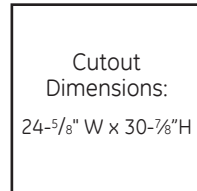
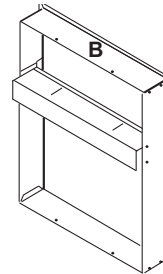
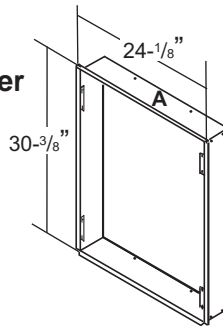
## ZONELINE COMPONENTS (Large Chassis)



## REQUIRED ACCESSORIES

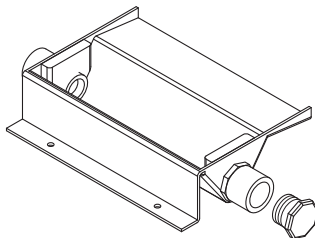


**Architectural Louver  
RAVAL2**

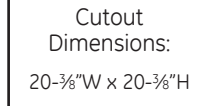
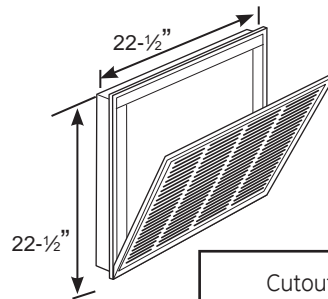


**Wall Plenum**

RAVWPT8 - telescopes from 5 1/2" to 8"  
RAVWPT14 - telescopes from 8" to 14"

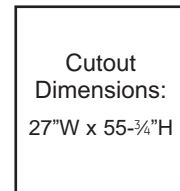
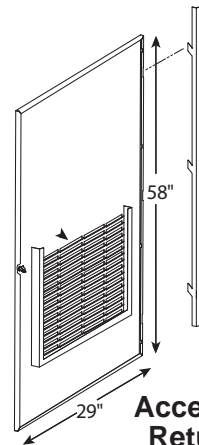


**Drain Pan  
RAVDP18**  
Includes drain plug



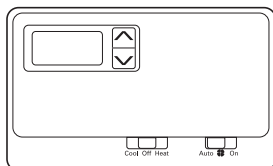
**Return Air Grille  
RAVRG2**  
Filter Size: 20" x 20"  
Field Supplied

OR



**Access Panel with  
Return Air Grille  
RAVRG3**

Filter Size: 25" x 20"  
Field Supplied



### Wall Thermostat

Model Type	Electronic Thermostat	Kit Number
Electric Resistance Models	5-wire	RAK164P2 and RAK164D2
Electric Resistance Models	6-wire	RAK164F2
Heat Pump Models	6-wire	RAK148P2 and RAK148D2
Heat Pump Models	7-wire	RAK148F2

Check the thermostat instructions for correct wiring and installation requirements.

# Installation Overview

## RETURN AIR GRILLE INSTALLATION OPTIONS

The room return air grille may be installed toward the front or either side of the unit. Improper return air arrangements will cause performance problems.

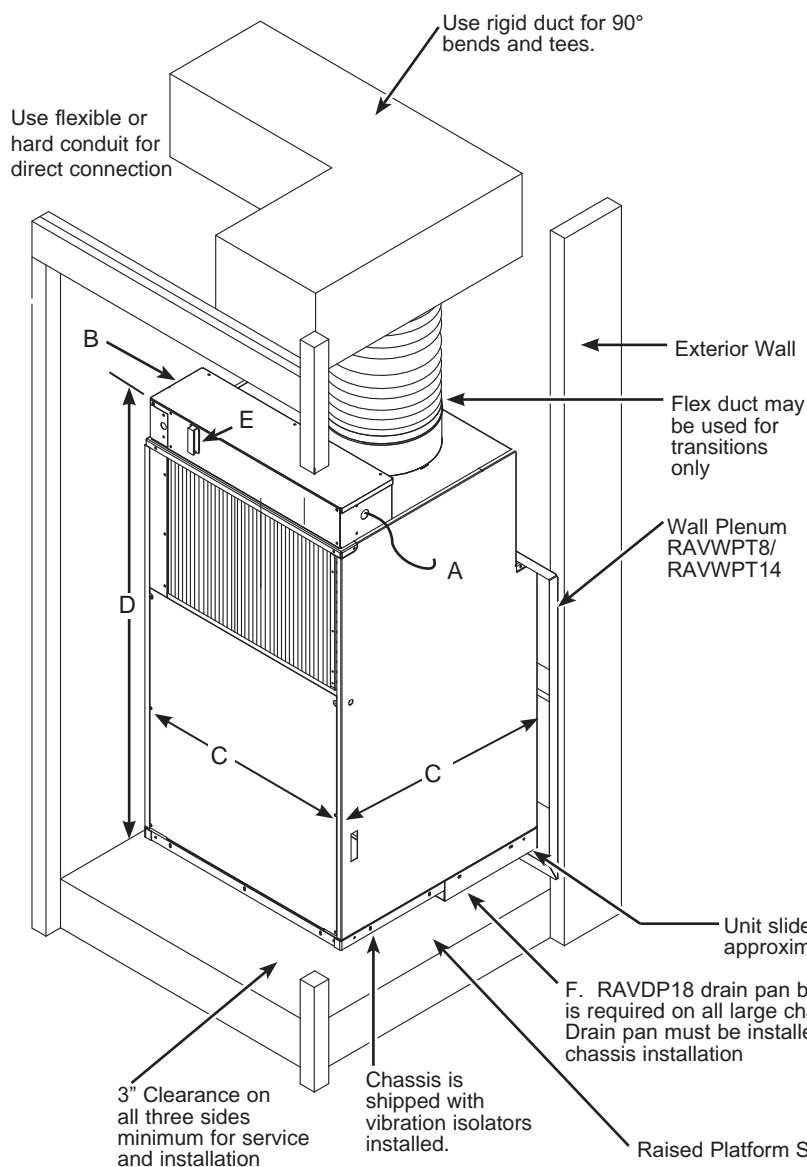
**There are three indoor return air grille installation options.** Choose the option that best suits your installation requirements. Follow the Installation Instructions provided with the return air grille accessory for installation details.

**NOTE: Use only one filter in the installation.** The filter may be installed on the unit or in the access panel/door.

## UTILITY CLOSET CONNECTION LOCATIONS

**IMPORTANT:** Plan and locate plenum, electrical connection, drains and thermostat carefully to avoid interference. Hard-to-reach locations will make installation and service difficult!

### Large Chassis



### Reference Dimensions

- A Thermostat cable
- B Incoming Power Conduit
- C Unit width and depth: 23-1/8"
- D Unit height: 47"
- E Power Disconnect
- F Condensate drains:
  - Drain hole is located on bottom of unit approximately 3" from the back of the unit, 1" from the left side .
  - On the bottom of the unit condensate water drips from the drain hole into the drain pan.
  - Drain Pan Kit RAVDP18 is required for large chassis installs. Drain kit to be installed into plenum prior to the unit being installed.
  - Primary drain can exit from the left or right sides of the RAVDP18 Drain Pan.
  - Secondary drain water flows into plenum from the back of the unit.

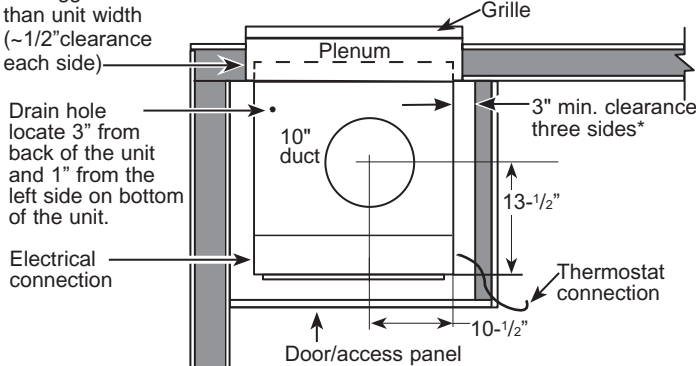
# Installation Overview

## LARGE CHASSIS TYPICAL UTILITY CLOSET AND DIMENSIONS (FOR REFERENCE ONLY)

### UNIT INSTALLED THROUGH FRONT OF PLENUM

Plenum is ~1" bigger than unit width (~1/2" clearance each side)

#### Top View



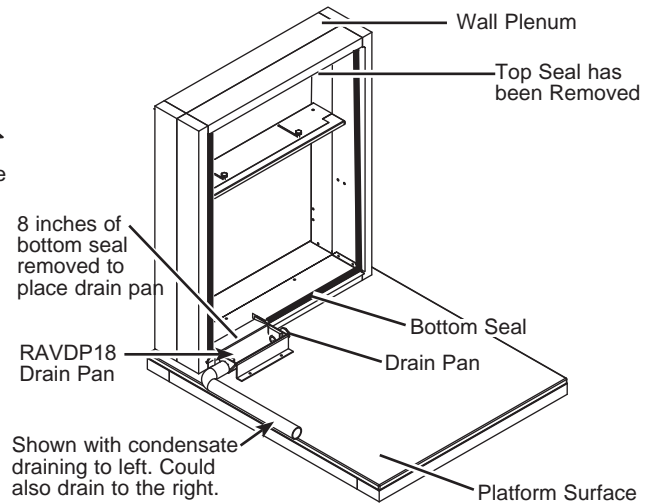
Drain hole locate 3" from back of the unit and 1" from the left side on bottom of the unit.

Electrical connection

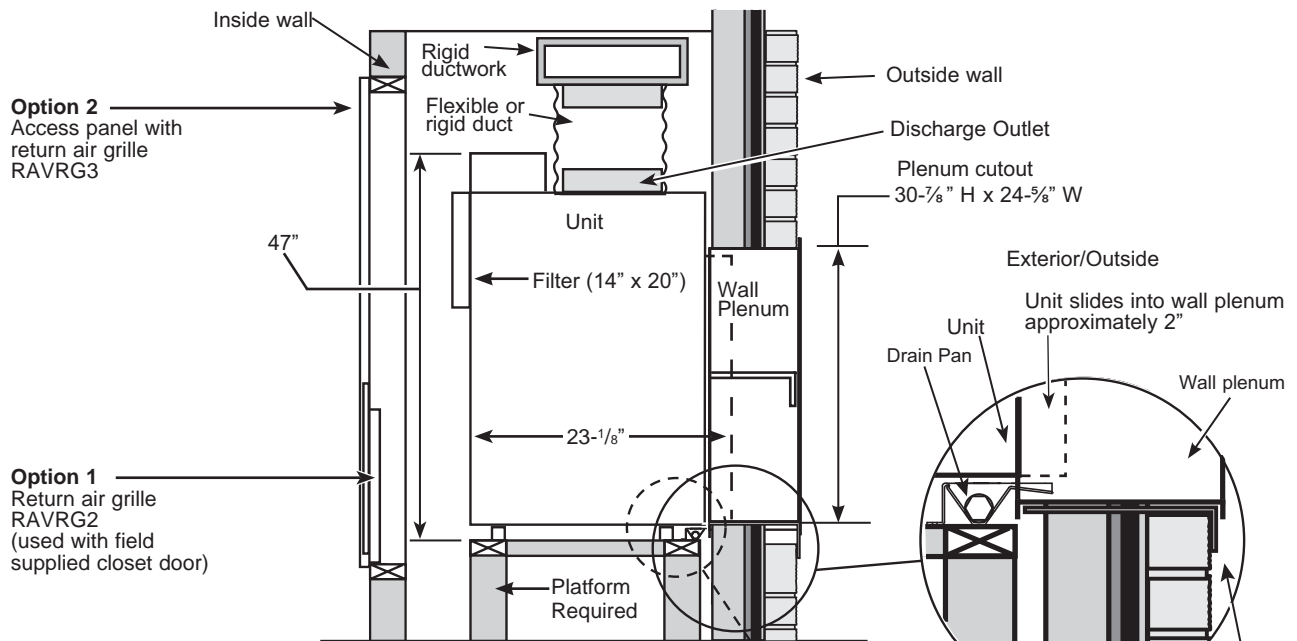
Door/access panel

\* It is recommended to leave additional space around the unit to ease installation and access for service.

### Drain Locations



### Side View



**Option 2**  
Access panel with return air grille RAVRG3

**Option 1**  
Return air grille RAVRG2 (used with field supplied closet door)

#### Front Install Clearances

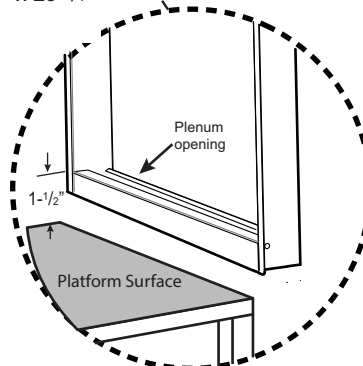
- 3" min. from front of unit
  - 3" min. from both sides of unit
- Side Installs not recommended

**Platform** - Minimum 8" high platform recommended. Height may be adjusted to accommodate plenum opening and drain access. Platform size minimum 23-1/4" x 23-1/4" minimum load capacity 300 pounds.

Plenum opening must be 1 1/2" above platform surface for large chassis installation.

#### Available Accessories

- Architectural Louver - RAVAL2
- Wall Plenum - RAVWPT8 - telescopes from 5-1/2" to 8"
- Wall Plenum - RAVWPT14 - telescopes from 8" to 14"
- Return Air Grille - RAVRG2
- Access Panel with Return Air Grille - RAVRG3
- Wall Thermostat (Digital and Programmable)



# Installation Instructions

## INSTALLATION SEQUENCE

- |   |  |
|---|--|
| <ol style="list-style-type: none"> <li>1. Plan for proper electrical supply, drains and ductwork locations.</li> <li>2. Install wall plenum.</li> <li>3. Install the grille.</li> <li>4. Build and install platform.</li> <li>5. Install drain pan.</li> <li>6. Place unit on the platform and slide the exterior side of the unit into the plenum until it is fully seated.</li> </ol> | <ol style="list-style-type: none"> <li>7. Connect unit to the ductwork.</li> <li>8. Connect the thermostat.</li> <li>9. Connect the electrical power.</li> <li>10. Install air return grille or access cover.</li> <li>11. Review the installation checklist.</li> <li>12. Check operation of the unit.</li> </ol> |
|---|--|

## INSTALLATION INSTRUCTIONS

### Install the Wall Plenum

Install the wall plenum. Refer to instructions included in the wall plenum kit RAVWP8 or RAVWPT14 for proper installation procedures.

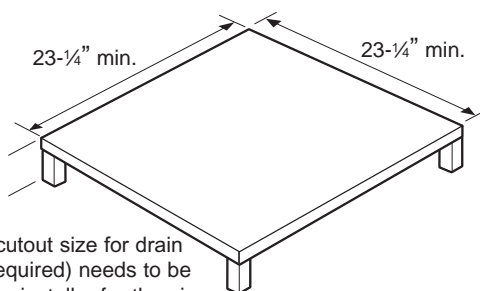
### Install the Grille

Install the grille. Refer to instructions included in the grille kit RAVAL2 for proper installation procedures.

### Build and Install the Zoneline Base Platform

1. Construct a 23-1/4" min. x 23-1/4" min. square platform with legs to raise the platform.  
NOTE: The platform must have a load-bearing capacity of 300 lbs. minimum.

**Recommended platform height:**  
8" min for drain access. Platform surface should be 3/4" below wall plenum opening. See Plenum Installation Instructions for details



NOTE: Specific cutout size for drain connections (if required) needs to be determined by the installer for the given installation situation.

NOTE: For large chassis units Drain Kit RAVDP18 is required to drain condensate water to the building DWV system.

2. Place the platform in the utility closet with the following clearance between it and the interior surface of the walls/door/panel:
  - 3" min. from front of the unit – Unit to be installed through FRONT of case
  - 3" min. from two sides of the unit
3. Align the platform with the opening of the wall plenum and secure to the floor using appropriate brackets and bolts.

### Condensate Disposal System

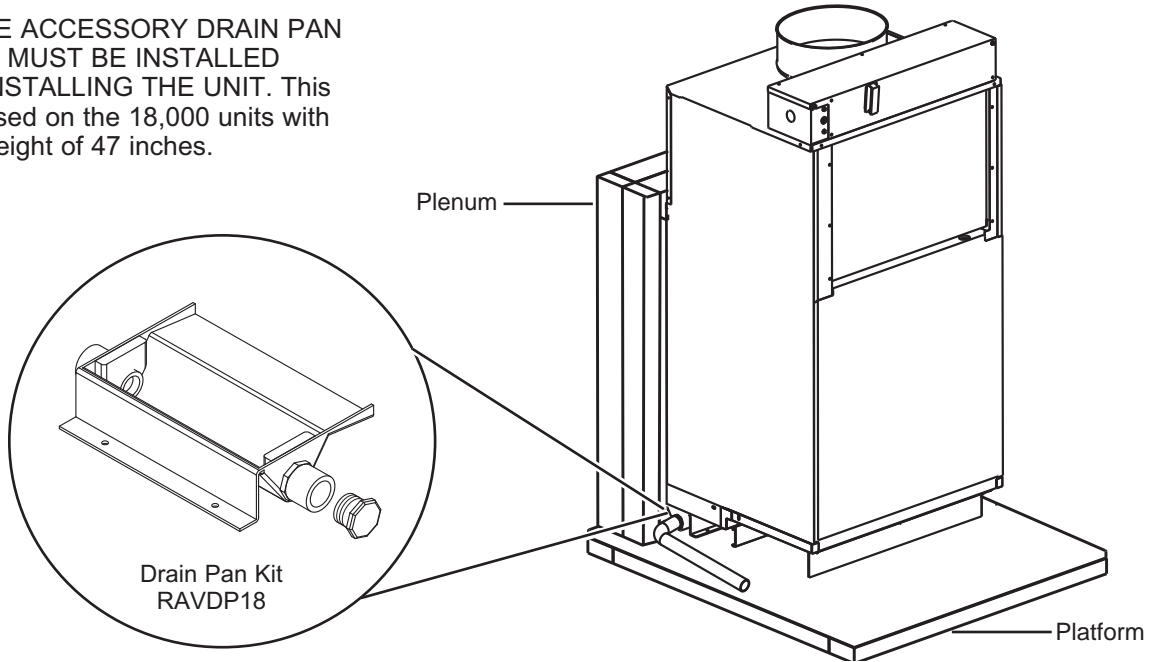
The Condensate Disposal System increases energy efficiency utilizing a factory installed fan that slings the condensate onto the hot outdoor coil.

When high outdoor humidity prevents the slinger from disposing of all condensate, the excess condensate overflows into the condensate drain pan and out of the 3/4" internal drain connections.

**NOTE: If the Condensate Disposal System fails to remove all of the condensate from the unit, any excess condensate will overflow from a spillway in the rear of the unit directly into the wall plenum, and drain outside the building. This is your indication that the chassis or drain requires servicing.**

## Install the Drain Pan

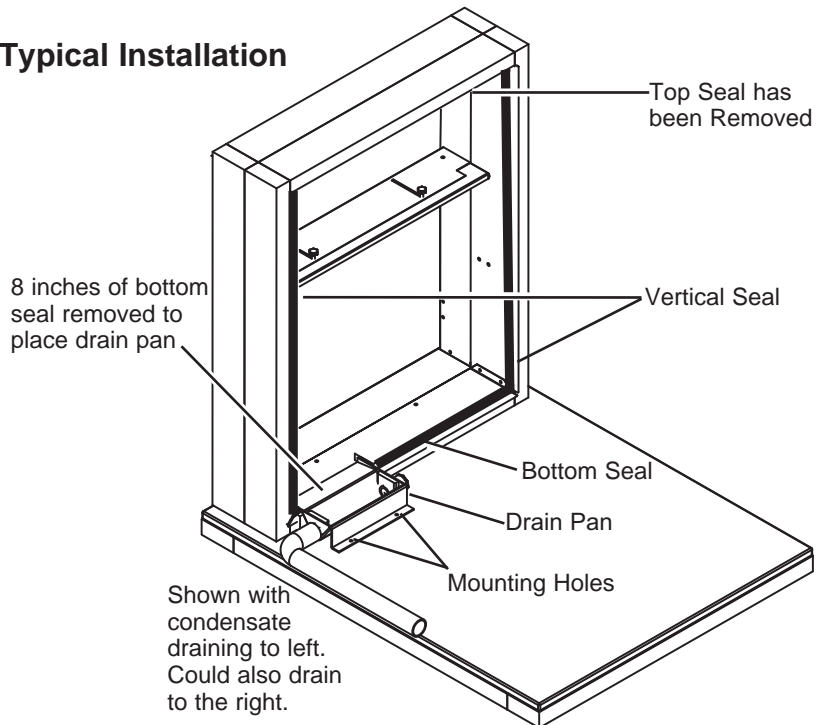
**NOTE:** THE ACCESSORY DRAIN PAN (RAVDP18) MUST BE INSTALLED BEFORE INSTALLING THE UNIT. This kit is only used on the 18,000 units with a chassis height of 47 inches.



1. Install drain pan. Refer to instructions included in the drain pan kit RAVDP18 for proper installation procedures.
2. Place unit on the platform and slide the exterior side of the unit into the plenum until it is fully seated.

An external or internal drain must be attached to one of the two primary drain connections located to the right or left side of the drain pan. The drain spillway located on the back of the unit is the secondary drain if required by state and local codes. A field supplied secondary condensation pan may be required. Refer to the local codes for proper installation of drain.

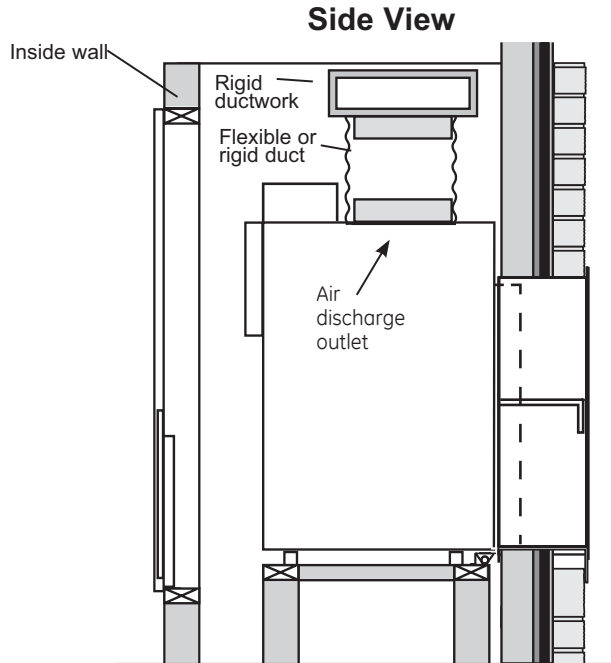
## Typical Installation



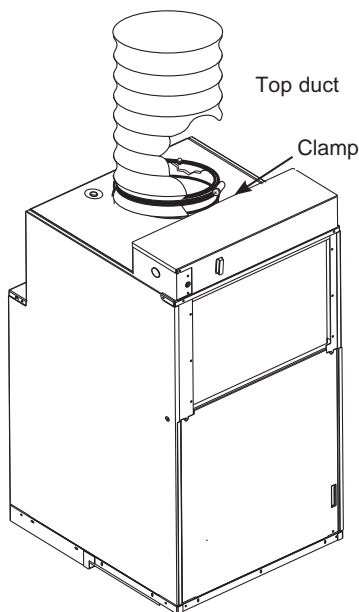
# Installation Instructions

## Connect the Top Duct

1. Install the duct onto the air discharge outlet.



2. Use a field supplied clamp to secure the top duct to the air discharge outlet.



## Remote Thermostat

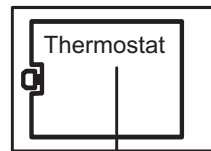
### **⚠ WARNING** Electric Shock Hazard

Before servicing, disconnect power to the Zoneline at the fuse box or circuit breaker and pull out electrical disconnect on front of the chassis.

Failure to do so can result in personal injury and/or death.

All SPVU units are factory configured to be controlled by using a single stage heat/cool remote wall mounting thermostat. The thermostat may be auto or manual changeover as long as the control configuration matches that of the SPVU unit.

**NOTE:** See the *Remote Thermostat and Low Voltage Control Connections* sections of this manual and the manual with the separate thermostat for proper connections and settings.



Maximum Wiring Length for Thermostat Connection to the Unit
66 ft. for AWG 18
60 ft. for AWG 20
40 ft. for AWG 24
AWG - American Wire Gauge



Unit Connections

### **IMPORTANT:**

The Zoneline thermostat connections provide 24V AC only.

If using a digital/electronic wall thermostat you must set it to the 24V AC setting. See the Installation Instructions for the wall thermostat.

### **NOTICE:**

Damage to a wall thermostat or to the Zoneline electronics can result from improper connections. Exercise extra attention when connecting blue and black wires. No line voltage connections should be made to any circuit in the thermostat. Isolate all wires in building from line voltage.

## REMOTE THERMOSTAT AND LOW VOLTAGE CONTROL CONNECTIONS

### To Connect the wall-mounted thermostat

Terminal connections are located under the control box panel.

1. Pull the power disconnect located in the front of the chassis.
2. Disconnect the power coming into the unit from the main breaker panel or the closet mounted disconnect.
3. Remove the control box panel by removing the 4 front screws and 3 top screws that secure the panel.
4. Run the thermostat wires through the small hole on the top of the box to reach the terminal connections on the right side of the control.
5. Make the wire connections per the instructions that are included with the thermostat.
6. Once each wire is matched and connected, the unit is now ready for operation.
7. Reattach the control box panel.

### Thermostat terminals requirements

For cooling with electric heat units: C, R, GL, Y, W.

For heat pump units: C, R, GL, Y, W, B.

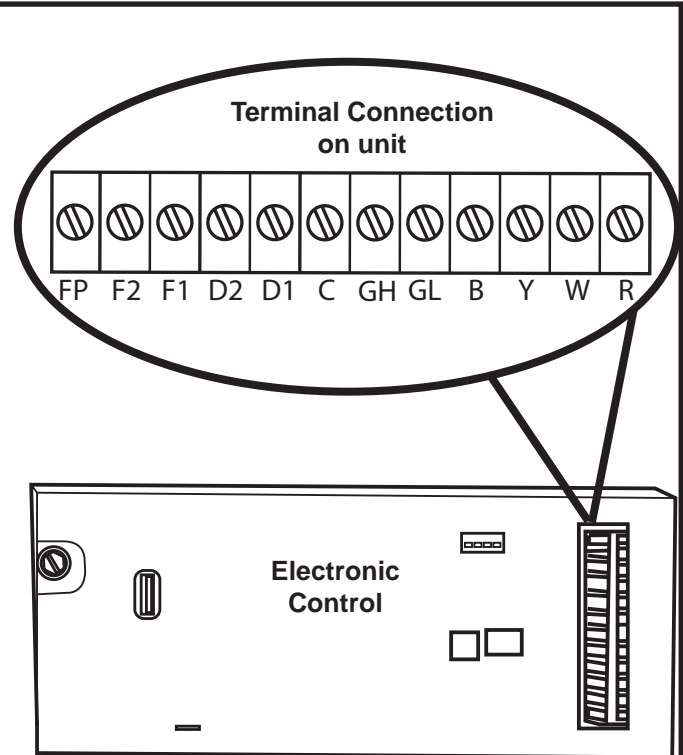
For two fan speeds, thermostat must have 2 fan speed selection.

### Heat Pump Units During Heat Mode:

The B terminal must be continuous energized. The W terminal must have 24 VAC output to call for heat. The control board decides on whether to turn on the Heat Pump Heat (compressor) or Electric Heat. The Y terminal should not have 24 VAC output during the Electric Heat mode.

### CAUTION

Improper CDC wiring may damage the Zonline electronics or cause erratic Zonline operation. No Common bussing is permitted. A separate wire pair must be run from each separate controlling switch to each individual Zonline.



Interface Definition	
Terminal Code	Wire Connection Function
FP	Factory use only. (Ensure there is not jumper at FP and F2)
F2	Used with F1 to provide 24 VAC to external fan relay. (Ensure there is no jumper at FP and F2)
F1	Used with F2 to provide 24 VAC to external fan relay
D2	Used with D1 for desk control on or off operation
D1	Used with D2 for desk control on or off operation
C	Common Ground Terminal
GH	Call for High Fan
GL	Call for Low Fan
B	Call for Heat Pump Reversing Valve
Y	Call for Compressor
W	Call for Heating
R	24V Power from Electronic Control to Wall Thermostat

# Installation Instructions

## REMOTE THERMOSTAT AND LOW VOLTAGE CONTROL CONNECTIONS

### Desk Control Terminals

The SPVU has built-in provisions for connection to an external switch to control power to the unit. The switch can be a central desk control system or even a normally open door switch.

For desk control operation, connect one side of the switch to the D1 terminal and the other to the D2 terminal. Whenever the switch closes, the unit operation will stop.

**NOTE:** The desk control system and switches must be field supplied.

### Maximum Wire Length for Desk Control Switch

Wire Size	Maximum Length
#24	400 ft.
#22	600 ft.
#20	900 ft.
#18	1500 ft.
#16	2000 ft.

### Auxiliary Fan Control

The Smart Center also has the ability to control a 24VAC relay to activate an auxiliary, or transfer, fan. The outputs are listed as F1 and F2 on the control board.

To connect the relay, simply wire one side of the relay to F1 and the other side to F2. Anytime that the fan runs, the terminals will send a 24VAC signal to the relay. The relay must be 24VAC, 100mA or less.

**NOTE:** The relay and auxiliary fans must be field supplied.

**NOTE:** It is the installer's responsibility to ensure that all control wiring connections are made in accordance with the installation instructions. Improper connection of the thermostat control wiring and/or tampering with the unit's internal wiring can void the equipment warranty and may result in property damage, personal injury or death.

### Air Return Panel/Grille

Install the air return grille or access cover. Refer to instructions included with the kit chosen.



## ELECTRICAL CONNECTIONS

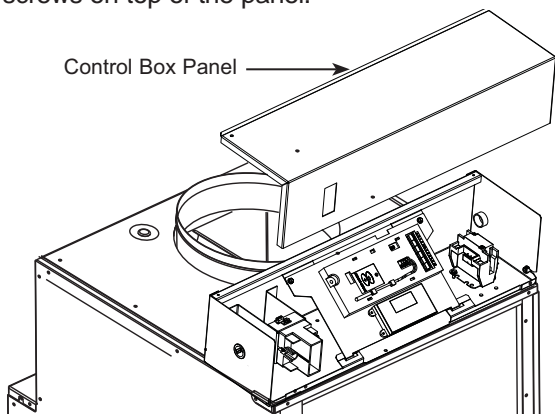
### 1. REMOVE CONTROL BOX PANEL

#### **⚠ WARNING** Electric Shock Hazard

Before servicing, disconnect power to the Zoneline at the fuse box or circuit breaker and pull out electrical disconnect on front of the chassis.

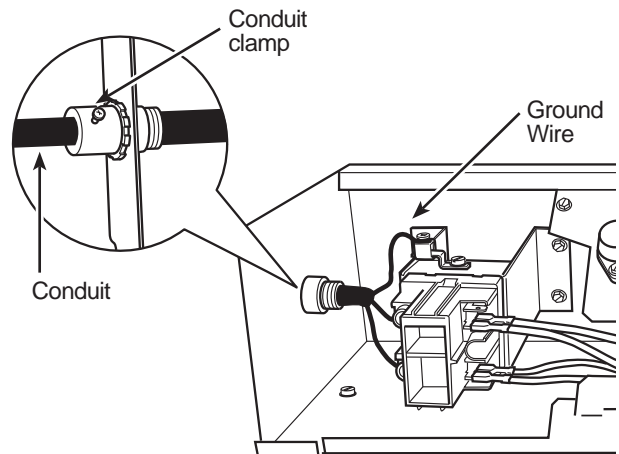
Failure to do so can result in personal injury and/or death.

Remove the control box panel by taking out the 2 screws on top of the panel.



### 2. ATTACH CONDUIT

Use the round knockout hole on the left side of the control box to install conduit coming from the branch circuit. Install and clamp the conduit through the conduit clamp and bring wire leads into the junction box. Leave 8" of wire free from the end of the conduit.



### 3. MAKE WIRE LEAD CONNECTIONS INSIDE THE CONTROL BOX

#### **⚠ WARNING** RISK OF ELECTRIC SHOCK

Can cause injury or death. This appliance must be properly grounded.

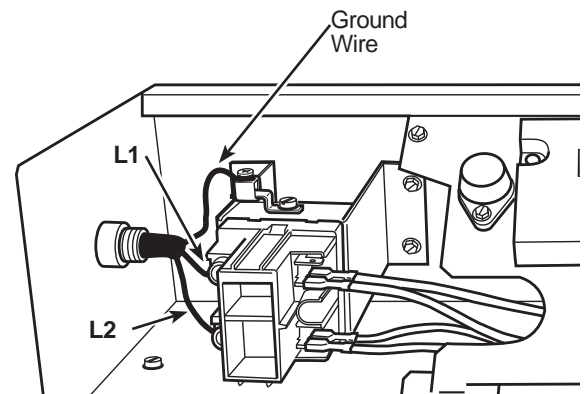
Turn OFF electrical power before service or installation.

Pull the power disconnect located in the front of the chassis. Disconnect the power coming into the unit from the main breaker panel or the closet mounted disconnect.

#### **NOTE:**

- All electrical connections and wiring must be installed by a qualified electrician and conform to the National Electric Code (NEC) and all local codes which have jurisdiction.
- All chassis must be hard wired with properly sized breakers. Use HACR type breakers to avoid nuisance trips.
- Unit must be properly grounded.

1. Make all wire connections by using appropriate UL-listed electrical connectors and techniques.
2. Be sure that all wire leads are inside the control box and not pinched between the panel and the unit. The green insulated ground wire from the Zoneline **MUST BE** connected to the branch circuit ground wire.
3. Replace the control box panel and secure to the unit by replacing the 2 screws removed earlier.



# Installation Instructions

## ELECTRICAL CONNECTIONS (continued)

### DIRECT CONNECTION

Heater Wattage @ 230/208 Volts	Circuit Protective Device
2.50/2.05 KW 3.40/2.78 KW 5.00/4.09 KW	15-Amp Time Delay-Fuse or Breaker 20-Amp Time Delay-Fuse or Breaker 30-Amp Time Delay-Fuse or Breaker
Heater Wattage @ 265 Volts	Circuit Protective Device
2.50 KW 3.40 KW 5.00 KW	15-Amp Time Delay-Fuse or Breaker 20-Amp Time Delay-Fuse or Breaker 30-Amp Time Delay-Fuse or Breaker

\* See NEC for application for 265 Volts.

## FINAL INSTALLATION

### FINAL INSTALLATION CHECKLIST

- Ensure that all installation instructions concerning clearances around the unit have been adhered to.
- Inspect and ensure that all components and accessories have been installed properly and that they have not been damaged during the installation process.
- Wall plenum flashing is installed, plenum level and calked.
- Unit is level, front to back and left to right.
- Check to ensure that the unit air filter, indoor coil, and outdoor coil are free from any obstructions.
- Check to make sure only one air filter is installed in the system.
- Check the condensate water drain(s) to ensure that they are connected and adequate for the removal of condensate water and that they meet approval of the end user.
- Ductwork is connected and secure to air discharge outlet.
- Secure all access panels (i.e. front cover and/or control box).
- Wall thermostat is wired correctly.
- Unit is wired correctly.
- Ensure that the circuit breaker(s) /fuse(s) and supply circuit wire size have been sized correctly.
- Ensure the unit has correct line voltage to it, is on a single circuit and is properly grounded.
- Ensure that the entire installation is in compliance with all applicable national and local codes and ordinances having jurisdiction.

### CONNECT POWER

1. If all the items on the checklist are correct, reinstall the power disconnect on the front of the unit.
2. Turn the power on at the main service panel.
3. Turn on and adjust the thermostat so the unit begins to run.
4. Check for proper operation in each mode. Instruct the owner or operator regarding the unit's operation, and the recommended routine maintenance schedule.

**NOTE:** Maintaining a log for recording the dates of maintenance and/or service is recommended, and should be suggested to the owner or operator of the equipment.

### SERVICING

#### WARNING

**Risk of Electric Shock, can cause injury or death.** Before servicing, switch power off at the service panel and lock the area to prevent power from being switched on accidentally. When the area cannot be locked, securely fasten a prominent warning device, such as a tag, to the service panel.

**NOTE:** We strongly recommend that any servicing be performed by a qualified individual.

#### To remove the unit from the closet.

1. Switch the wall thermostat to off.
2. Pull the Power Disconnect located in the front of the chassis.
3. Turn off all power coming into the unit at the main breaker panel or the closet mounted disconnect.
4. Disconnect the electrical connection at the unit.
5. Disconnect the drain system.
6. Disconnect the duct work.
7. Slide the chassis out of the wall plenum.
8. Lift the chassis out of the utility closet.

## Normal Operating Sounds



You may hear a pinging noise caused by water being picked up and thrown against the condenser on rainy days or when the humidity is high. This design feature helps remove moisture and improve efficiency.

---

**“CLICK”**

You may hear relays click when the controls cycle on and off or are adjusted to change the room temperature.

---



Water will collect in the base pan during high humidity or on rainy days. The water may overflow and drip from the outdoor side of the unit.

---



The indoor fan runs continuously when the unit is operating in the cooling mode, unless it is set to cycle. This will cause the fan to cycle on and off with the compressor. You may also hear a fan noise stop and start.

There are times when the fan on the unit will run even when the unit is not heating or cooling. If the system is set up to be in continuous fan the indoor fan will run regardless if the unit may be cooling or heating. Other times the fan will run longer than the heating/cooling cycle or kick on occasionally. This is normal and is done to circulate air to improve room comfort and balance.

If the unit is equipped with a make-up air ventilation system, fans will run continuously.

---

**3-Minute Delay**



You may notice a few minutes delay in starting if you try to restart the Zoneline too soon after turning it off or if you adjust the thermostat right after the compressor has shut off. This is due to a built-in restart protector for the compressor that causes a 3-minute delay.

---

**SILENCE**

During the defrost cycle, both indoor and outdoor fans stop and the compressor will operate in the cooling mode to remove frost from the outdoor coil. After defrost, the unit will restart in electric heat to quickly warm the room to the desired comfort level.

---

**COMPRESSOR PROTECTION**

To protect the compressor and prevent short cycling, the unit is designed to run for a minimum of 3 minutes after the compressor starts at any thermostat setting.

# Troubleshooting Tips... Before you call for service

Save time and money! Review the charts on the following pages first and you may not need to call for service.

<b>Problem</b>	<b>Possible Cause</b>	<b>What To Do</b>
<b>Zoneline does not start.</b>	<b>The fuse is blown/circuit breaker is tripped.</b>	Check the house fuse/circuit breaker box and replace the fuse or reset the breaker.
	<b>The unit is waiting for the compressor overload protector to reset.</b>	This is normal. The Zoneline will start again after it resets.
	<b>Power Failure.</b>	There is a protective time delay (up to 3 minutes) to prevent tripping of the compressor overload. For this reason, the unit may not start normal heating or cooling for 3 minutes after it turned back on.
<b>Zoneline does not cool or heat as it should.</b>	<b>Indoor airflow is restricted.</b>	Make sure there are not curtains, blinds or furniture blocking the front of the Zoneline.
	<b>Outdoor airflow is restricted or recirculated.</b>	Make sure the architectural louver is not restricted. This can cause the unit to cycle off due to the compressor overload protector.  Outdoor grille must have a minimum of 65% free area. Non-GE Appliances grills may be too restrictive for proper performance. Consult your salesperson for assistance.
	<b>The air filter is dirty.</b>	Change the filter at least every 30 days. See the Care and Cleaning - Air Filters section
	<b>The room may have been hot or cold.</b>	When the Zoneline is first turned on you need to allow time for the room to cool down or warm up.
	<b>Outdoor air is entering the room.</b>	Set the vent control to the closed position.
<b>Burning odor at the start of heating operation.</b>	<b>Dust on the surface of the heating elements.</b>	This can cause a "burning" odor at the beginning of the heating operation. This should quickly fade.
<b>The air is not always cool or hot during operation.</b>	<b>The heat pump is not producing hot air.</b>	This is normal. The heat pump will produce warm air but not as hot as air produced when the higher-cost electric heat is used.
	<b>The fan switch may be set to continuous fan.</b>	This causes the fan to blow room temperature air even when the compressor or heater cycles off. The continuous air movement provides better overall temperature control in the cool mode.
<b>The air does not feel warm enough during heating operation</b>	<b>The heat pump alone produces air that feels cooler than desired.</b>	Use the Electric Heat Option. This turns off the heat pump and warms with electric heat only. <b>NOTE:</b> Use of this option will result in increased energy consumption.

# Error Codes

## Electronic Control Error Code Diagnostics and Test Mode

### Error Code Diagnostics

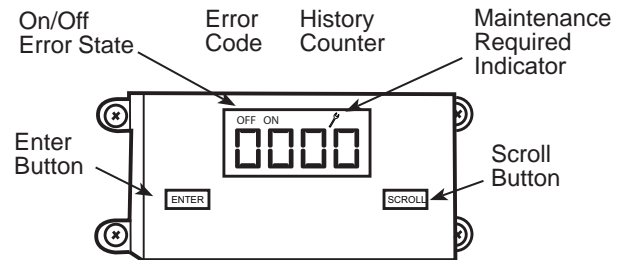
The SPVU electronic control continuously monitors the unit operation and will store error codes if certain conditions are witnessed. In some cases the unit may take action and shut the unit off until conditions are corrected.

To access the error code menu press the “ENTER” button. If error codes are present they will be displayed. If multiple codes exist you can toggle between error codes using the “SCROLL” button. To clear all codes press the “ENTER” and “SCROLL” buttons for three seconds while in the error code mode.

### Error Codes and Alarm Status

#### Unit Control Panel

The display shown below has four digits. The left two digits indicate the error code (1 to 24), the On/Off icons above these two digits indicate the current state of the error code. The right two digits show the history count (up to 99) of the associated error code. The display contains a maintenance icon (wrench) that will illuminate to indicate when the unit needs maintenance.



#### Check Error Codes:

1. Press the ENTER key to activate the display.
2. Each press of the scroll key display the next error code.

#### Clear History Counters:

1. Press and hold the ENTER key and SCROLL KEY for about 6 seconds.

Error Code	Problem	Action
1	Front panel button stuck for more than 20 seconds	Continue to monitor for "OPEN" (unstuck) switch. Do not process switch input.
2	Input voltage out of specification (103-127/187-253)	Unit stops, open all relays until voltage is back within specs then resumes operation
3	Indoor temperature sensor is open or shorted	Unit defaults to 75° F in COOLING or 68° F in HEATING and will continue to operate.
4	Indoor coil temperature sensor is open or shorted	The unit's control board defaults 40° F. It will override the sensor and the unit will continue to operate.
5	Outdoor coil temperature sensor is open or shorted	The unit defaults to 20° F, overriding the sensor. The unit will continue to operate. Using Electric heat if available for HEATING. If not available, it will use HEAT PUMP if the outdoor temperature allows.
6	Outdoor coil > (greater than) 175° F	The unit will shut down for 5 minutes, resume operation for 3 minutes. If test fails 3 times, the severity is increased and the unit operation is locked out.
7	Indoor coil < (less than) 30° F for 2 consecutive minutes	The compressor will turn off and the High Fan speed will run. When coil temp reaches 45° F the unit will resume operation after lockout time.
8	Unit cycles > (greater than) 9 times per hour	The unit will continue to operate and be monitored.
9	Unit cycles < (less than) 3 times per hour	The unit will continue to operate and be monitored.
10	Room freeze protection	Only use if Electric Heat is available. Run High Speed and Electric Heat until room temperature reaches 46° F. The unit will display "FRZ" during operation. Logged only.
11	Wall stat problem or connection issue	The unit will not operate.
12	Not applicable	Not applicable
13	High pressure limit switch is open	If using is cooling or heat pump is on, shut down compressor. Run high fan until switch closes, then resume operation. The third occurrence in 1 hour locks unit out. Applicable to 24K unit only.
14	Not applicable	Not applicable
15	Heat pump error	If indoor coil temperature is less than ambient temperature for 3 minutes the unit will use electric heat to satisfy the heating demand.
16	Temperature beyond operating limits	Occurs if the ambient temperature range falls below 0° F or greater than 130° F. The error code will remain on until the temperature reaches the operating range and then the unit will return to normal operation.
17	Equipment doesn't meet minimum configuration	The compressor must be enabled and have at least 2 fan speeds.
18	Not applicable	Not applicable
19	Not applicable	Not applicable
20	Not applicable	Not applicable
21	Not applicable	Not applicable
22	Outdoor coil temperature <30°F for 2 consecutive minutes	Unit will use electric heat to satisfy heating demands until the temperature equals or exceeds 45°F. Applicable for the Heat Pump models only.
23	Frost protection	Until we run active defrost for a minimum of 6 minutes when Heat Pump run time is greater than 60 minutes and outdoor coil temperature is 26°F or less
24	Not applicable	Not applicable



# Product Registration

Follow these three steps to protect your new appliance investment:

**1** Complete and mail your Consumer Production Registration today. Have the peace of mind of knowing we can contact you in the unlikely event of a safety modification.

**2** After mailing the registration below, store this document in a safe place. It contains information you will need should you require service. Our service number is 844-GE4-PTAC (or 844-434-7822 ).

**3** Read your Owner's Manual carefully. It will help you operate your new appliance properly.

✂ cut here

## CONSUMER PRODUCT OWNERSHIP REGISTRATION

Three ways to register your appliance:



**SCAN**  
this code with your smart-phone app

**GO ONLINE**  
[geappliances.com/register](http://geappliances.com/register)

**COMPLETE & MAIL**  
this registration card

Product:

Model:

Serial:

Mr.  Mrs.  Ms.

First Name  Last Name

Street Address  Apt.#

Email Address

We'll use your email address to send you information about your product, as well as discounts and other offers from GE Appliances

City  State  ZIP Code

Month  Day  Year  Phone Number (  )

Date appliance was installed or placed in use

GE Appliances takes your privacy seriously. All information you provide shall be held in strict accordance with the GE Appliances Privacy Policy. Read the full policy at [www.geappliances.com/privacy/privacy\\_policy.htm](http://www.geappliances.com/privacy/privacy_policy.htm).

[geappliances.com/register](http://geappliances.com/register)

Revised 6/15  
245D1499P001

✂ cut here

## FOR CANADIAN CONSUMERS / POUR LES CONSOMMATEURS CANADIENS

OWNERSHIP REGISTRATION CERTIFICATE		FICHE D'INSCRIPTION DU PROPRIETAIRE	
MODEL/MODÈLE	SERIAL/SÉRIE	P.O. BOX/C.P. 1780 MISSISSAUGA, ONT. L4V 4G1	
		INSTALLATION DATE Y/A M DATE D'INSTALLATION	
PLEASE COMPLETE AND RETURN THIS CARD IMMEDIATELY TO ENABLE US TO CONTACT YOU IN THE REMOTE EVENT A SAFETY NOTIFICATION IS ISSUED FOR THIS PRODUCT.		VEUILLEZ REMPLIR ET RETOURNER LA PRÉSENTE FICHE SANS TARDER AFIN DE NOUS PERMETTRE DE COMMUNIQUER AVEC VOUS SI JAMAIS UN AVIS DE SÉCURITÉ CONCERNANT CE PRODUIT ÉTAIT ÉMIS.	
CHECK ONE COCHEZ	MR. <input type="checkbox"/> M. MISS MRS. <input type="checkbox"/> MME. MISS MS. <input type="checkbox"/>	FIRST NAME/PRÉNOM	LAST NAME/NOM
STREET NO. N° RUE		STREET NAME/RUE	APT.NO./APP./RR#
CITY/VILLE		PROVINCE	POSTAL CODE/POSTAL
AREA CODE IND. REG.	TELEPHONE	NAME OF SELLING DEALER/NOM DU MARCHAND	

Canada consumers, visit [geappliances.ca/register/index.jsp](http://geappliances.ca/register/index.jsp)

CORRESPONDENCE  
CORRESPONDANCE

FRENCH  
FRANÇAIS

ENGLISH  
ANGLAIS

245D1499P002  
Revised 06/14

# Product Registration

---

Please place in envelope and mail to:

PRODUCT REGISTRATION DEPARTMENT  
PO BOX 34980  
LOUISVILLE KY 40232-4980

Please place in envelope and mail to:  
Veuillez mettre dans une enveloppe et envoyez à :

OWNERSHIP REGISTRATION  
PO BOX 1780  
MISSISSAUGA, ONTARIO  
L4Y 4G1



# GE Appliances Vertical Zonline Warranty

All warranty service provided by our Factory Service Centers or an authorized Customer Care® technician. To schedule service, on-line, visit us at [GEAppliances.com](http://GEAppliances.com), or call 844-GE4-PTAC (or 844-434-7822 ). For service in Canada, contact Gordon Williams Corp. at 1.888.209.0999. Please have serial number and model number available when calling for service.

For The Period Of:	GE Will Replace:
<b>One Year</b> <i>From the date of the original purchase</i>	<b>Any part</b> of the air conditioner which fails due to a defect in materials or workmanship. During this <b>limited one-year warranty</b> , GE will provide, <b>free of charge</b> , all labor and related service cost to replace the defective part.
<b>Five Year</b> <i>From the date of the original purchase</i>	<b>Sealed Refrigerating System, if any part of the sealed refrigerating system</b> (the compressor, condenser, evaporator and all connecting tubing including the make up air system) should fail due to a defect in materials or workmanship. During this <b>limited five-year warranty</b> , GE will provide, <b>free of charge</b> , all labor and related service cost to replace the defective part.
<b>Second through Fifth Year</b> <i>From the date of the original purchase</i>	For the <b>second through the fifth year</b> from the date of original purchase, GE will replace <b>certain parts</b> that fail due to a defect in materials or workmanship. Parts covered are fan motors, switches, thermostats, electric resistance heater, electric resistance heater protectors, compressor overload, solenoids, circuit boards, auxiliary controls, thermistors, frost controls, ICR pump, capacitors, varistors and indoor blower bearing. During this <b>four-year limited additional warranty</b> , you will be responsible for any labor or on-site service costs.

## What GE Will Not Cover:

- Service trips to your site to teach you how to use the product.
- Improper installation, delivery or maintenance.  
If you have an installation problem, or if the air conditioner is of improper cooling capacity for the intended use, contact your dealer or installer. You are responsible for providing adequate electrical connecting facilities.
- In commercial locations, labor necessary to move the unit to a location where it is accessible for service by an individual technician.
- Failure or damage resulting from corrosion due to installation in an environment containing corrosive chemicals.
- Replacement of fuses or resetting of circuit breakers.
- Failure of the product resulting from modifications to the product or due to unreasonable use, including failure to provide reasonable and necessary maintenance.
- Failure or damage resulting from corrosion due to installation in a coastal environment, except for models treated with special factory-applied anti-corrosion protection as designated in the model number.
- Damage to product caused by improper power supply voltage, accident, fire, floods or acts of God.
- Incidental or consequential damage to personal property caused by possible defects with this air conditioner.
- Damage caused after delivery.
- Product not accessible to provide required service.

**EXCLUSION OF IMPLIED WARRANTIES—Your sole and exclusive remedy is product repair as provided in this Limited Warranty. Any implied warranties, including the implied warranties of merchantability or fitness for a particular purpose, are limited to one year or the shortest period allowed by law.**

This warranty is extended to the original purchaser and any succeeding owner for products purchased for use within the USA and Canada. If the product is located in an area where service by a GE Appliances Authorized Servicer is not available, you may be responsible for a trip charge or you may be required to bring the product to an Authorized GE Appliances Service location for service. In Alaska, the warranty excludes the cost of shipping or service calls to your site.

Some states or provinces do not allow the exclusion or limitation of incidental or consequential damages. This warranty gives you specific legal rights, and you may also have other rights which vary from state to state or province to province. To know what your legal rights are, consult your local, state or provincial consumer affairs office or your state's Attorney General.

**Warrantor: GE Appliances**

Staple your receipt here. Proof of the original purchase date is needed to obtain service under the warranty.

# Consumer Support

---

## GE Appliances Website

Have a question or need assistance with your appliance? Try the GE Appliances Website 24 hours a day, any day of the year! You can also shop for more great GE Appliances products and take advantage of all our on-line support services designed for your convenience. In the US: [GEAppliances.com](http://GEAppliances.com)

---

## Register Your Appliance

Register your new appliance on-line at your convenience! Timely product registration will allow for enhanced communication and prompt service under the terms of your warranty, should the need arise. You may also mail in the pre-printed registration card included in the packing material. In the US: [GEAppliances.com/register](http://GEAppliances.com/register)

---

## Schedule Service

Expert GE Appliances repair service is only one step away from your door. Get on-line and schedule your service at your convenience any day of the year. In the US: [GEAppliances.com/ge/service-and-support/service.htm](http://GEAppliances.com/ge/service-and-support/service.htm) or call 800.432.2737 during normal business hours.

---

## Extended Warranties

Purchase a GE Appliances extended warranty and learn about special discounts that are available while your warranty is still in effect. You can purchase it on-line anytime. GE Appliances Services will still be there after your warranty expires. In the US: [GEAppliances.com/ge/service-and-support/shop-for-extended-service-plans.htm](http://GEAppliances.com/ge/service-and-support/shop-for-extended-service-plans.htm) or call 800.626.2224 during normal business hours.

---

## Parts and Accessories

Individuals qualified to service their own appliances can have parts or accessories sent directly to their homes (VISA, MasterCard and Discover cards are accepted). Order on-line today 24 hours every day. In the US: [GEApplianceparts.com](http://GEApplianceparts.com) or by phone at 877.959.8688 during normal business hours.

**Instructions contained in this manual cover procedures to be performed by any user. Other servicing generally should be referred to qualified service personnel. Caution must be exercised, since improper servicing may cause unsafe operation.**

---

## Contact Us

If you are not satisfied with the service you receive from GE Appliances, contact us on our Website with all the details including your phone number, or write to:

In the US: General Manager, Customer Relations | GE Appliances, Appliance Park | Louisville, KY 40225  
[GEAppliances.com/ge/service-and-support/contact.htm](http://GEAppliances.com/ge/service-and-support/contact.htm)



# CLIMATISEUR vertical Zoneline®

## CONSIGNES DE SÉCURITÉ .....3

### UTILISATION DU ZONELINE

- Interrupteur d'alimentation .....4
- Commande de la ventilation .....4
- Protection contre le gel dans la pièce ...4
- À propos de votre thermopompe .....4

### ENTRETIEN ET NETTOYAGE

- Filtres à air .....5
- Drain à condensat .....5
- Serpentins intérieurs/extérieurs .....6
- Plateau de fond .....6

### INSTRUCTIONS D'INSTALLATION

- Préparation ..... 7, 8
- Système de conduits .....8
- Accessoires .....9
- Options d'installation de la grille de retour d'air .....10
- Emplacements des raccords dans l'armoire de service .....10
- Armoire de service typique et dimensions ..... 11
- Séquence des étapes d'installation ..... 12
- Installation du plenum ..... 12
- Installation de la grille ..... 12
- Construction de la plateforme ..... 12
- Raccordement du drainage ..... 13
- Raccordement du conduit de dessus ...14
- Thermostat ..... 15, 16
- Raccordements électriques ..... 17, 18
- Liste de vérification de l'installation .... 18
- Mise sous tension de l'appareil ..... 18

### CONSEILS DE DÉPANNAGE

- Bruits de fonctionnement normaux ..... 19
- Conseils de dépannage ..... 20
- Codes d'erreur ..... 21

### SOUTIEN AU CONSOMMATEUR

- Enregistrement du produit ..... 23, 24
- Garantie ..... 25
- Soutien au consommateur ..... 26

Inscrivez ci-dessous les numéros de modèle et de série :

No de modèle \_\_\_\_\_

No de série \_\_\_\_\_

Vous les trouvez sur l'étiquette du panneau supérieur.

## MANUEL D'UTILISATION

Modèles à thermopompe  
AZ91  
Carrosserie grand format

## **MERCI DE FAIRE DES ÉLECTROMÉNAGERS GE APPLIANCES UNE PARTIE INTÉGRANTE DE VOTRE DOMICILE.**

Que vous ayez grandi avec des électroménagers GE Appliances ou qu'il s'agisse de votre première acquisition, nous sommes heureux de vous accueillir dans notre famille.

Nous sommes fiers du savoir-faire, de l'innovation et de l'esthétique qui composent chaque électroménager GE, et nous pensons que vous le serez aussi. Dans cette optique, nous vous rappelons que l'enregistrement de votre électroménager vous assure la communication de renseignements importants sur le produit et la garantie lorsque vous en avez besoin.

Enregistrez votre électroménager GE en ligne dès maintenant. Des sites Web et des numéros de téléphone utiles figurent dans la section Soutien au consommateur de ce manuel d'utilisation. Vous pouvez aussi poster la fiche de garantie préimprimée incluse dans l'emballage.



**GE APPLIANCES**

# CONSIGNES DE SÉCURITÉ IMPORTANTES. VEUILLEZ LIRE TOUTES LES CONSIGNES AVANT D'UTILISER L'APPAREIL

## AVERTISSEMENT

Pour votre sécurité, vous devez suivre les instructions de ce manuel pour réduire les risques d'incendie, d'explosion, de choc électrique, de dommage à la propriété, de blessure ou de décès.

## MESURES DE SÉCURITÉ

- Avant son utilisation, cet appareil Zonline doit être correctement installé en conformité avec les instructions d'installation. Reportez-vous aux Instructions d'installation au dos de ce manuel.
- Avant d'effectuer une réparation, coupez l'alimentation électrique du Zonline à la boîte des fusibles ou au disjoncteur.

**REMARQUE :** Nous recommandons vivement de confier toute réparation à un technicien qualifié.

- Tous les climatiseurs contiennent un frigorigène qu'il faut retirer avant de disposer du produit en vertu de la loi fédérale. Si vous mettez au rebut un produit qui contient un frigorigène, informez-vous sur la façon d'en disposer auprès du fabricant.
- Les systèmes de climatisation R410A exigent que les entrepreneurs et les techniciens utilisent des outils, un équipement et des normes de sécurité approuvés pour utilisation avec ce frigorigène.  
**N'UTILISEZ PAS un équipement approuvé pour le frigorigène R22 seulement.**

**LISEZ ET CONSERVEZ CES INSTRUCTIONS**

# Fonctions

## Interrupteur d'alimentation

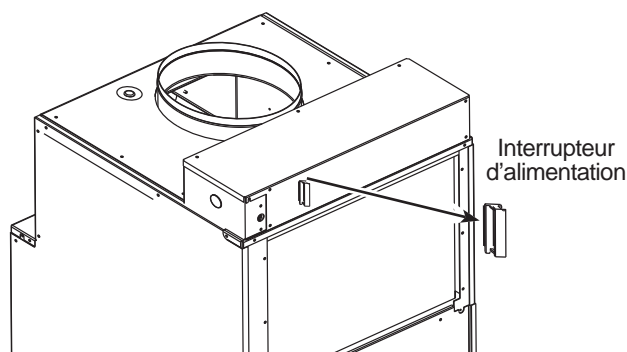
L'interrupteur d'alimentation est situé sur le devant du Zoneline.

**REMARQUE :** L'interrupteur d'alimentation ne coupe pas l'électricité au bloc de jonction situé sous le panneau de la boîte des commandes.

### **AVERTISSEMENT** Risque de choc électrique

Avant d'effectuer une réparation, coupez l'alimentation électrique du Zoneline à la boîte des fusibles ou au disjoncteur et retirez l'interrupteur d'alimentation sur le devant de la carrosserie.

L'omission de procéder ainsi peut causer des blessures ou le décès.



## Commande de la ventilation

Le levier de commande de la ventilation est situé sur le devant du Zoneline.

Lorsque le levier est à la position **CLOSE (fermé)**, seul l'air intérieur de la pièce est mis en circulation et filtré.

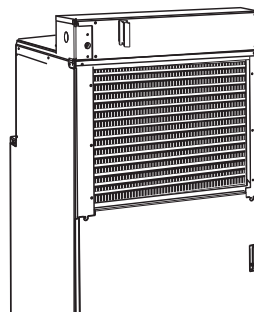
Lorsque le levier est à la position **OPEN (ouvert)**, une certaine quantité d'air extérieur est introduite dans la pièce. Cela réduit l'efficacité du chauffage ou de la climatisation.

**Pour fermer l'évent, déplacez le levier coulissant vers le haut.**

**Pour ouvrir l'évent, déplacez le levier coulissant vers le bas.**

**Conseil éconergétique :** Gardez le contrôle de l'évent à la position **CLOSE (fermé)**. L'air de la pièce sera filtré et mis en circulation.

**REMARQUE :** Les orifices de ventilation ne sont pas destinés à servir de source d'air appoint pour les systèmes de ventilation des bâtiments en raison des charges de chauffage et de climatisation additionnelles qui seraient générées.



## Protection contre le gel dans la pièce

Cette fonction vérifie les conditions à l'intérieur de la pièce et fera intervenir le chauffage électrique avec ventilateur à haute vitesse si la température tombe sous 40°. Cela se produira quel que soit le mode en cours pourvu que l'appareil soit sous tension.

## À propos de votre thermopompe (certains modèles)

Les thermopompes peuvent faire économiser en captant la chaleur de l'air extérieur – même lorsque la température extérieure est sous le point de congélation – pour la libérer à l'intérieur.

Pour obtenir le meilleur rendement énergétique de votre thermopompe, ne modifiez pas le réglage du thermostat de la pièce trop souvent. Augmenter la température de 2 ou 3 degrés obligera le Zoneline à utiliser ses éléments chauffants afin d'atteindre rapidement la température réglée.

Le compresseur fonctionne un minimum de 3 minutes quel que soit le réglage afin de prévenir les cycles marche-arrêt courts.

Le moteur du ventilateur intérieur démarre avant le compresseur et s'arrête après que le compresseur cesse de fonctionner.

Les éléments chauffants utilisent davantage d'électricité que les thermopompes et augmentent le coût de fonctionnement.

# Entretien et nettoyage

## Filtres à air

**AVIS : Ne faites pas fonctionner le Zoneline sans filtre en place. Si un filtre devient déformé ou endommagé, remplacez-le immédiatement.**

Le fonctionnement sans filtre en place ou avec un filtre endommagé permettra à la saleté et la poussière d'atteindre les serpentins intérieurs et gênera la climatisation, le réchauffement, la circulation d'air et l'efficacité de l'appareil.

La mesure la plus importante pour entretenir le Zoneline est de changer le filtre au minimum tous les 30 jours. Les filtres sales nuisent à la climatisation, au chauffage et à la circulation d'air.

**Le changement de filtre permettra :** de réduire le coût de fonctionnement, d'économiser l'énergie, de prévenir l'obstruction des serpentins de l'échangeur de chaleur et de réduire le risque de défaillance prématurée des composants.

Vous devez vous procurer des filtres de rechange auprès du revendeur local d'accessoires de climatiseur et d'appareils de chauffage.

Dimensions du filtre – Façade de l'appareil : 14 x 20 x 1 po

Dimensions du filtre – RAVRG2 : 20 x 20 po.

Dimensions du filtre – RAVRG3 : 25 x 20 po.

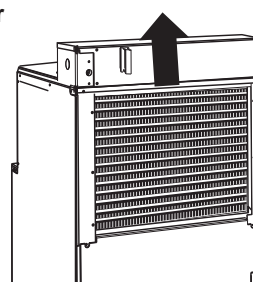
**REMARQUE : Utilisez seulement un filtre pour l'installation.**

**Pour remplacer le filtre (filtre à air de retour monté sur carrosserie) :**

1. Glissez le filtre vers la droite ou la gauche pour dégager les supports de filtre ou tournez le support de filtre supérieur pour dégager le dessus du filtre.
2. Retirez le filtre.
3. Installez le nouveau filtre jetable.

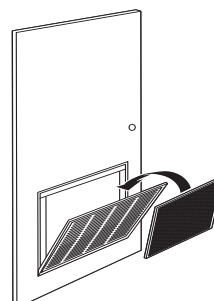
**Pour maintenir un rendement optimal, changez le filtre au moins tous les 30 jours.**

**Pour retirer et replacer le filtre :**



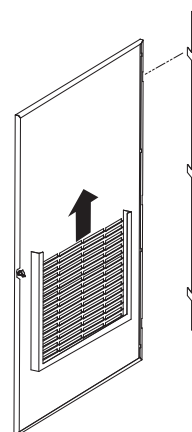
Retirer le filtre

Filtre monté sur l'appareil



Filtre RAVRG2  
20 x 20 po

Grille de retour d'air



Filtre RAVRG3  
25 x 20 po

Panneau d'accès avec grille de retour d'air  
Charnière sur le côté gauche de la porte

## Drain à condensat

**Nettoyez le système de drainage régulièrement pour prévenir son obstruction.**

Le drain à condensat doit être acheminé vers une zone de drainage appropriée. Vérifiez le drain à condensat de l'appareil régulièrement. Gardez-le exempt de tout ce qui pourrait l'obstruer ou gêner la circulation de l'eau de condensation. S'il se produit une accumulation de matière étrangère dans le tuyau de drainage, elle doit être évacuée et nettoyée. La totalité de la conduite de drainage doit être protégée contre le gel.

# Entretien et nettoyage

## Serpentins intérieurs/extérieurs

Les serpentins intérieurs/extérieurs du Zoneline doivent être nettoyés et inspectés régulièrement.

**REMARQUE :** N'utilisez pas de nettoyants pour serpentins à base d'acide pour nettoyer les serpentins. Usez de prudence pour éviter de tordre les ailettes en aluminium des serpentins.

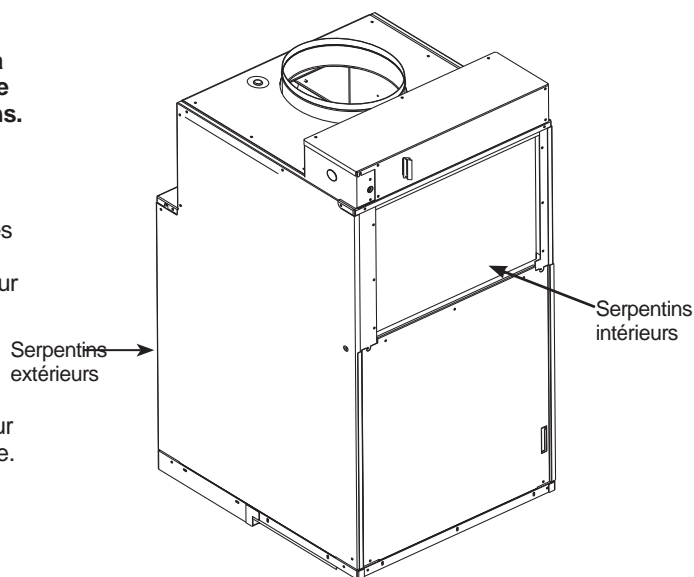
### Serpentins d'air intérieur

De petites quantités de charpie et de saleté peuvent passer à travers le filtre et s'agglutiner sur les serpentins d'air intérieur. Ces petites accumulations peuvent être soigneusement évacuées au moyen d'un aspirateur muni d'une brosse, ou nettoyés à la vapeur par un professionnel.

### Serpentins d'air extérieur

Les voies d'admission et d'évacuation de l'air extérieur doivent demeurer propres. Inspectez la voie d'évacuation de l'air extérieur fréquemment. Gardez-la exempte de débris, de neige et de glace. La voie d'admission de l'air extérieur doit aussi être exempte d'obstructions. Le blocage de l'échappement d'air extérieur ou de l'ouverture d'admission d'air extérieur réduira l'efficacité de votre unité et pourrait causer une défaillance prématurée du compresseur.

L'inspection et le nettoyage des serpentins d'air extérieur peut nécessiter le retrait de l'appareil de son enceinte. Consultez la section de ce manuel qui porte sur la réparation pour des instructions sur la manière de retirer l'appareil.



Have the coils cleaned regularly.

## Plateau de fond

Dans certaines installations, la saleté ou d'autres particules peuvent s'introduire dans l'appareil depuis l'extérieur et se déposer dans le plateau de fond (le fond de l'appareil).

Dans certaines régions des États-Unis, une substance semblable à du gel peut se retrouver dans le plateau de fond.

Inspectez-le régulièrement et nettoyez-le si nécessaire.



# Préparation de l'installation

Questions? Composez-le 844-GE4-PTAC (ou 844-434-7822) ou visitez notre site  
Web : GEAppliances.com

## AVANT DE COMMENCER

Lisez ces instructions attentivement et en totalité.

- **IMPORTANT** — Conservez ces instructions pour l'inspecteur local.
- **IMPORTANT** — Observez tous les codes et règlements en vigueur.
- **Note pour l'installateur** — Assurez-vous de remettre ces instructions au propriétaire.
- **Note pour le propriétaire** — Conservez ces instructions pour vous y référer ultérieurement.
- Il incombe à l'installateur de procéder à une installation correcte.
- La garantie ne couvre pas une défaillance du produit résultant d'une installation incorrecte.
- Vous devez utiliser toutes les pièces fournies et suivre les procédures appropriées qui figurent dans ces instructions lors de l'installation de ce climatiseur.

## CONSIGNES DE SÉCURITÉ ÉLECTRIQUE IMPORTANTES — LIRE ATTENTIVEMENT

### AVERTISSEMENT

- Toutes les connexions électriques et le câblage DOIVENT être effectués par un électricien agréé.
- Observez le code national de l'électricité ainsi que les codes et règlements locaux.
- Pour votre sécurité personnelle, ce Zoneline doit être mis à la terre correctement.
- Les dispositifs de protection (fusibles ou disjoncteurs) acceptables pour les installations Zoneline sont spécifiés sur la plaque signalétique de chaque appareil.
- N'utilisez pas de rallonge avec cet appareil.
- Le câblage des bâtiments en aluminium peut présenter des problèmes particuliers — Consultez un électricien agréé.
- Même lorsque l'appareil ne fonctionne pas, des commandes électriques demeurent sous tension.
- Coupez l'alimentation électrique à l'appareil avant une réparation en retirant les fusibles du circuit de dérivation ou en désarmant (off) le disjoncteur au panneau électrique.

## EXIGENCES ÉLECTRIQUES

Calibre de fils	Utilisez SEULEMENT le calibre de fil recommandé pour un circuit de dérivation à prise unique.
Fusibles/disjoncteur	Utilisez SEULEMENT une catégorie et un calibre de fusible de type Utilisateur ou un disjoncteur HACR indiqué sur la plaque signalétique de l'appareil. La protection appropriée contre les surintensités à l'appareil est la responsabilité du propriétaire.
Mise à la terre	L'appareil DOIT être mis à la terre depuis le circuit de dérivation vers l'appareil, ou au moyen d'un fil de terre distinct fourni sur les appareils connectés en permanence. Assurez-vous que le circuit de dérivation est mis à la terre.
Sélection du calibre des fils	Utilisez les calibres de fils indiqués dans les tableaux et installez un circuit de dérivation simple. Tout le câblage doit satisfaire aux codes locaux et nationaux. <b>REMARQUE : Utilisez des fils de cuivre seulement.</b>

**REMARQUE : Tout le câblage du site doit satisfaire aux codes locaux et à ceux de la NEC. Il incombe à l'installateur de s'assurer que les codes de l'électricité sont respectés.**

- Utilisez SEULEMENT le calibre de fils recommandé pour un circuit de dérivation simple.
- La protection contre les surintensités est la responsabilité du propriétaire.

### Calibres de fils pour circuit de dérivation recommandés\*

Calibre de disjoncteur maximal de la fiche signalétique	Calibre de fils AWG AWG Wire size**
15A	14
20A	12
30A	10

AWG – American Wire Gauge

\* Disjoncteur simple de la boîte électrique principale

\*\* À partir d'un fil de cuivre de 100 pi ou moins, conducteur isolé simple à 60 °C. Fil calibré d'après la NEC.

**REMARQUE : Utilisez des fils de cuivre seulement.**

# Préparation de l'installation

## Données sur le débit d'air intérieur

On peut déterminer le débit d'air intérieur en mesurant la pression statique extérieure (PSE) du système de conduits à l'aide d'un manomètre à tube incliné ou d'un débitmètre à hélice, puis en consultant le tableau « A ». Utilisez les coefficients de correction du débit du tableau « B » pour déterminer le débit d'air exact dans les conditions énumérées. En aucun cas, un appareil monobloc vertical (AMV) ne doit fonctionner à une pression statique extérieure supérieure à 0,30 po CE. Le fonctionnement de l'AMV dans ces conditions entraînera un débit inadéquat menant à un rendement déficient et/ou à une défaillance prématurée de composants.

**Tableau A – Détermination du débit intérieur (pi<sup>3</sup>/min)**

Modèles		
AZ91H18D*C/ AZ91H18E*C		
Vitesse ventilateur	Basse	Haute
PSE(")	C pi <sup>3</sup> /m FM	
.10"	420	465
.15"	390	420
.20"	345	380
.25"	300	325
.30"	255	280

PSE = Pression statique extérieure en pouces de colonne d'eau.

Débit nominal (pi<sup>3</sup>/m) à haute vitesse :

AZ91H18D\*C/AZ91H18E\*C = 465

Pour les thermostats à vitesse unique, connectez à la borne GL pour la basse vitesse ou à la borne GH pour la haute vitesse. Les thermostats à deux vitesses utilisent les deux bornes.

**Tableau B – Coefficients de correction  
Corriger le débit correct (si nécessaire)**

Coefficients de correction :	
230V	1.00
208V	0.97
Chauffage	1.00
Climatisation	0.95

Votre débit d'air doit être équilibré en fonction de plusieurs facteurs, tels que la PSE disponible, le débit dans la pièce et le système de conduits. Consultez un ingénieur en chauffage, ventilation et climatisation pour des applications appropriées. La pression statique extérieure (PSE) peut se mesurer à l'aide d'un manomètre ou d'un tube pilote. Une fois cette PSE mesurée, vous pouvez déterminer le débit à partir du tableau ci-dessus.

Des débits plus élevés tendent à augmenter la capacité sensible, la circulation dans la pièce et le bruit des conduits, tandis que des capacités moins élevées tendent à augmenter la capacité latente et à réduire le bruit

## Système de conduits

Le système de conduits d'approvisionnement doit être conçu d'après une méthode reconnue telle que la méthode d'égal frottement ou de réduction des vitesses, à l'aide de calculateurs appropriés pour le type de conduit (p.ex. métallique, plancher à conduits ou flexible) utilisé pour le système. Le système de conduits doit être conçu pour un taux de friction maximal de 0,30 po de colonne d'eau en tenant compte de tous les raccords, les registres et/ou les diffuseurs. NE faites PAS fonctionner l'appareil sans qu'il soit raccordé à un système de conduits d'approvisionnement.

Le retour d'air aux appareils monobloc verticaux en série NE DOIT PAS être canalisé par conduits et tous les appareils DOIVENT disposer d'une configuration de retour d'air libre pour fonctionner correctement.

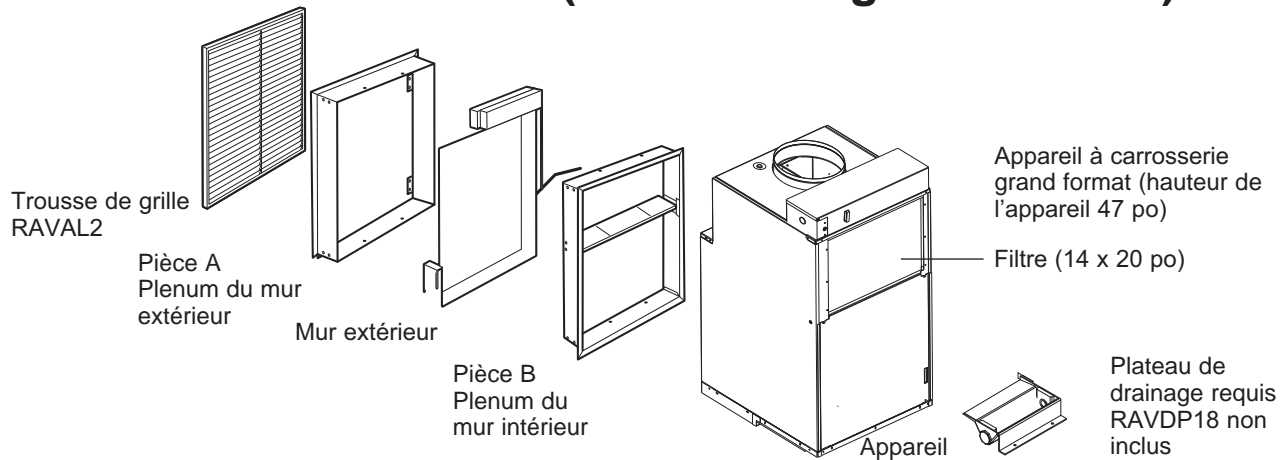
Le débit total (pi<sup>3</sup>/min) et la pression statique extérieure (PSE) disponible peuvent être évalués à partir des tableaux à gauche. Utilisez ces tableaux pour sélectionner les vitesses de ventilateur.

Le collet sur le dessus de l'appareil accepte les conduits standard de 10 po. Insérez tous les conduits fermement. Le jeu dans les conduits peut augmenter la pression statique de beaucoup.

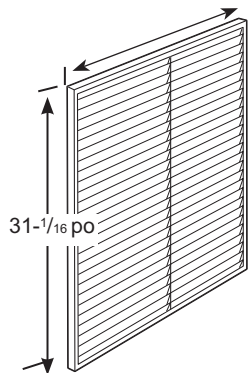
**AVIS:** Les conduits flexibles peuvent s'affaisser et restreindre le débit d'air. N'utilisez pas de conduits flexibles pour les coudes à 90° ou les sections non supportées sur 5 pi ou plus.

# Accessoires requis pour l'installation

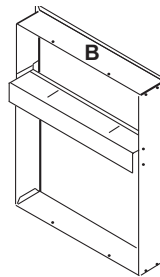
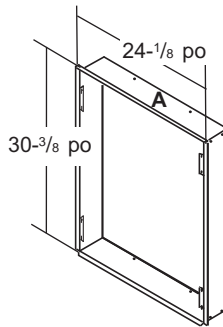
## COMPOSANTS ZONELINE (carrosserie grand format)



## ACCESSOIRES REQUIS



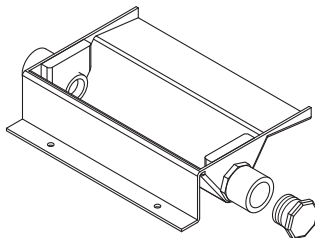
**Persienne architecturale RAVAL2**



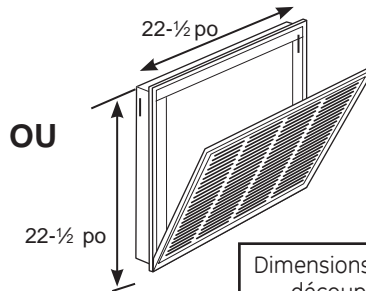
**Plenum mural**

**RAVWPT8 – S'allonge de 5-1/2 à 8 po**  
**RAVWPT14 – S'allonge de 8 à 14 po**

Dimensions de la découpe :  
 24-5/8 po x 30-7/8 po  
 (L x H)



**Plateau de drainage RAVDP18**  
 Bouchon de drain inclus

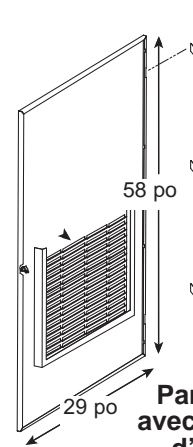


**OU**

**OU**

Dimensions de la découpe :  
 20-3/8 x 20-3/8 po  
 (L x H)

**Grille de retour d'air RAVRG2**  
 Dimensions du filtre : 20 x 20 po  
 Acheté localement

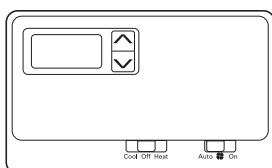


Dimensions de la découpe :  
 27 x 55-3/4 po  
 (L x H)

Charnière du côté gauche de la porte  
**Panneau d'accès avec grille de retour d'air RAVRG3**

Dimensions du filtre : 25 x 20 po  
 Acheté localement

### Thermostat mural



Type de modèle	Thermostat électronique	Numéro de trousse
Modèles à résistance électrique	5 fils	RAK164P2 et RAK164D2
Modèles à résistance électrique	6 fils	RAK164F2
Modèles à thermopompe	6 fils	RAK148P2 et RAK148D2
Modèles à thermopompe	7 fils	RAK148F2

Vérifiez le manuel du thermostat pour connaître le câblage approprié et les instructions d'installation.

# Vue d'ensemble de l'installation

## OPTIONS D'INSTALLATION DE LA GRILLE DE RETOUR D'AIR

La grille de retour d'air de la pièce peut s'installer vers le devant ou l'un des côtés de l'appareil. Une disposition incorrecte du retour d'air peut causer des problèmes de rendement.

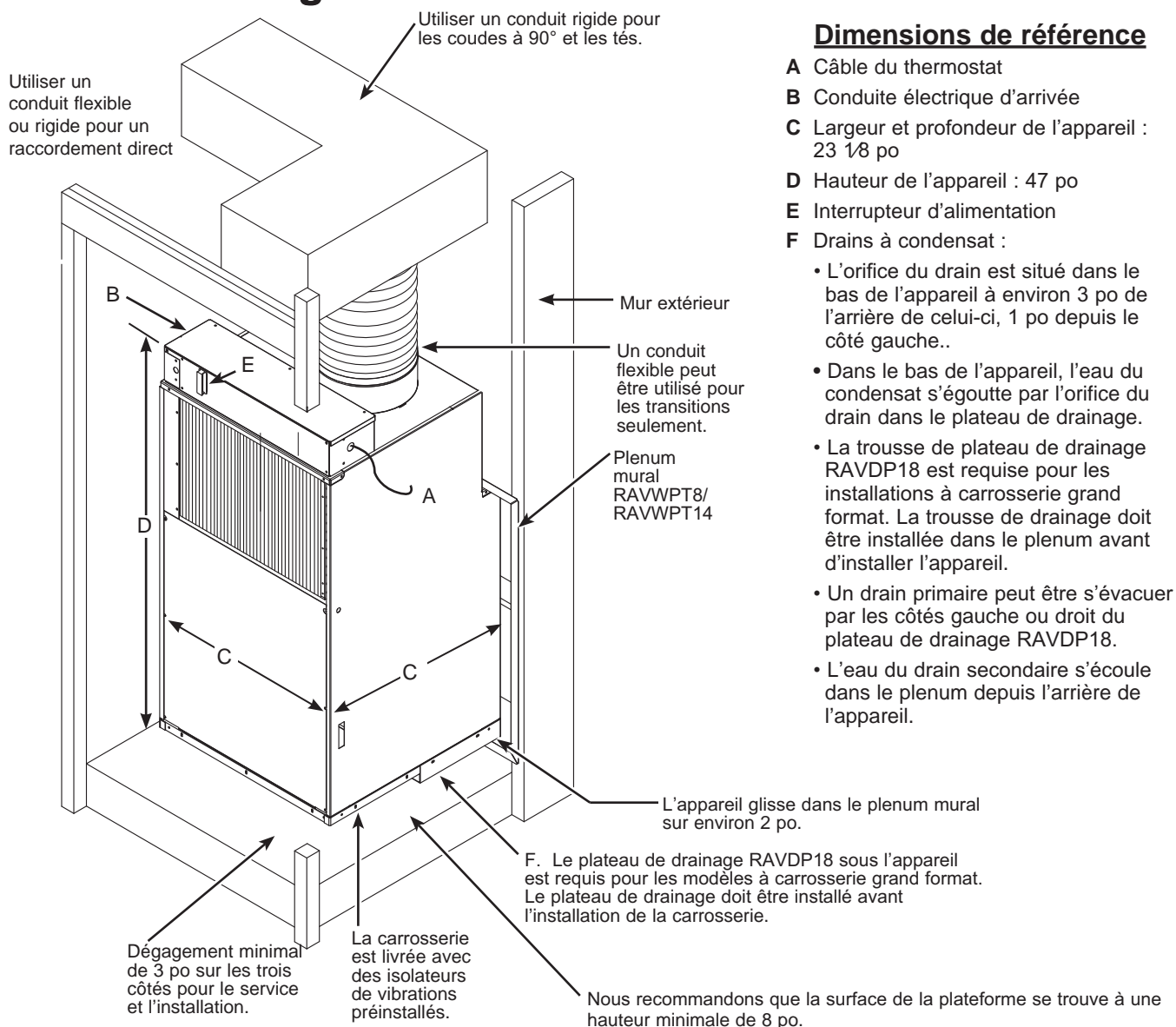
**Trois options d'installation de la grille de retour d'air intérieure sont disponibles.** Choisissez celle qui correspond le mieux à votre installation. Suivez les instructions d'installation fournies avec la grille pour les détails.

**REMARQUE : Utilisez un seul filtre dans l'installation.** Le filtre peut être installé sur l'appareil ou dans le panneau/porte d'accès.

## EMPLACEMENTS DES RACCORDS DANS L'ARMOIRE DE SERVICE

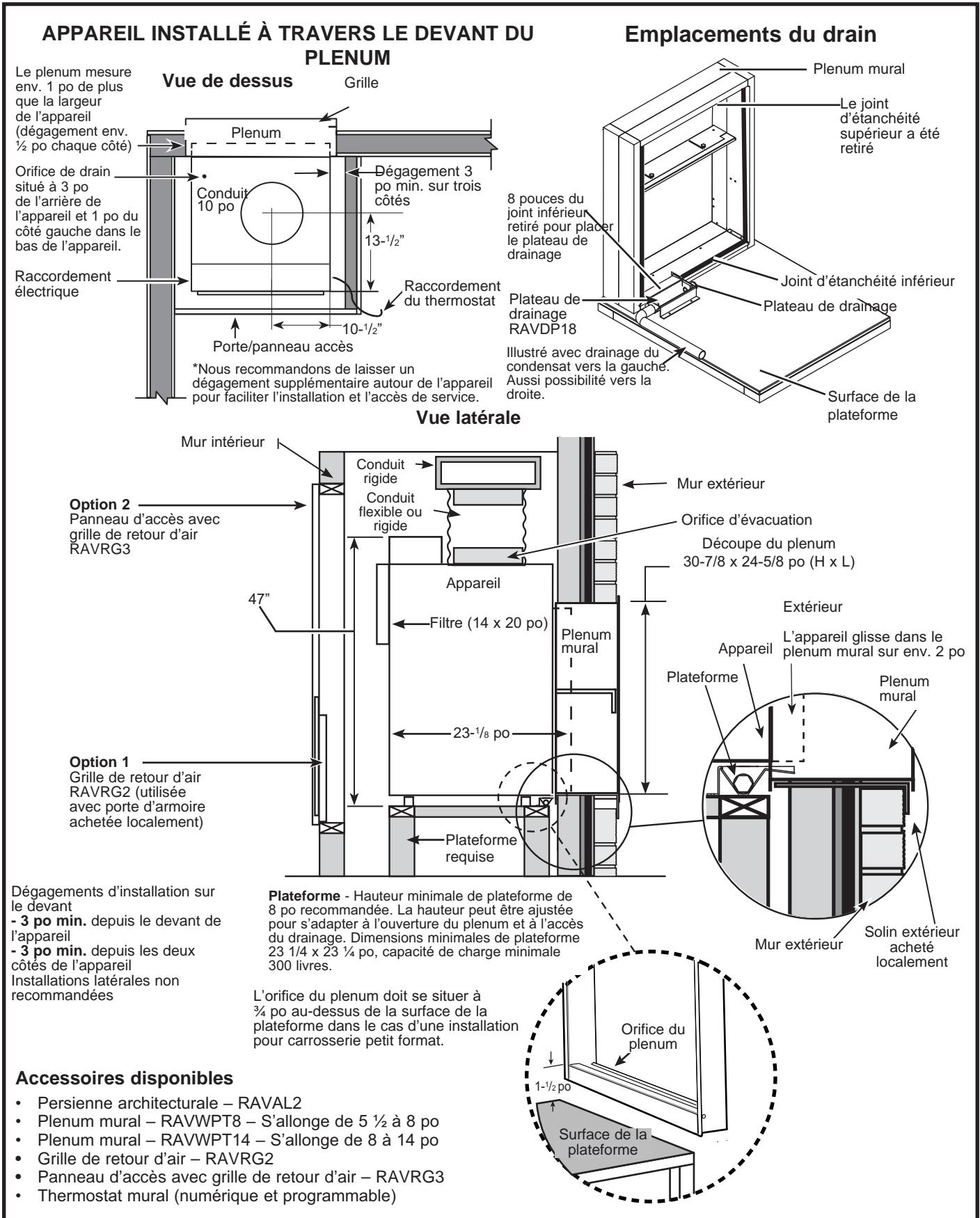
**IMPORTANT:** Planifiez soigneusement les emplacements du plenum, du branchement électrique, du drainage et du thermostat pour éviter les problèmes d'accès. Les endroits difficiles d'accès compliquent les manœuvres d'installation et de réparation!

### Carrosserie grand format



# Vue d'ensemble de l'installation

## ARMOIRE DE SERVICE TYPIQUE POUR GRAND CARROSSERIE ET DIMENSIONS (RÉFÉRENCE SEUL)



# Instructions d'installation

## SÉQUENCE DES ÉTAPES D'INSTALLATION

1. Prévoyez une source d'alimentation électrique, un drainage et un système de conduits appropriés.
2. Installez le plenum mural.
3. Installez la grille.
4. Construisez et installez la plateforme.
5. Installez le plateau de drainage.
6. Placez l'appareil sur la plateforme et glissez le côté extérieur de l'appareil dans le plenum jusqu'à ce qu'il repose à fond.
7. Raccordez l'appareil au système de conduits.
8. Raccordez le thermostat.
9. Raccordez l'alimentation électrique.
10. Installez la grille de retour d'air ou le panneau d'accès.
11. Révisez la liste de vérification de l'installation.
12. Vérifiez le fonctionnement de l'appareil.

## INSTRUCTIONS D'INSTALLATION

### Installation du plenum mural

Installez le plenum mural. Reportez-vous aux instructions incluses dans la trousse de plenum mural RAVWP8 ou RAVWPT14 pour la procédure d'installation appropriée.

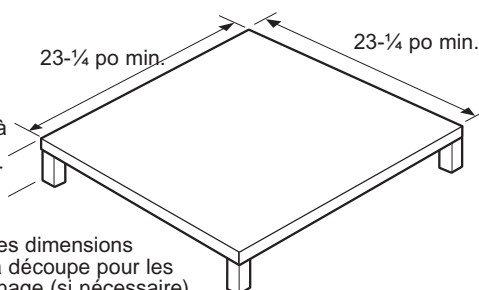
### Installation de la grille

Installez la grille. Reportez-vous aux instructions incluses dans la trousse de grille RAVAL2 pour la procédure d'installation appropriée.

### Construction et installation de la plateforme Zoneline

3. Construisez une plateforme carrée d'un minimum de 23 1/4 x 23 1/4 po avec des pieds pour élever la plateforme.  
REMARQUE : La plateforme doit avoir une capacité de charge minimale de 300 lb.

**Hauteur de plateforme recommandée:**  
8 po min. pour l'accès au drainage. La surface de la plateforme doit se trouver à 3/4 po sous l'orifice du plenum. Voyez les instructions d'installation du plenum pour les détails.



REMARQUE : Les dimensions spécifiques de la découpe pour les raccords de drainage (si nécessaire) doivent être déterminées par l'installateur pour une installation particulière.

REMARQUE : Pour les appareils à carrosserie grand format, la trousse de drainage RAVDP18 est requise pour évacuer l'eau du condensat dans le système d'égout du bâtiment.

2. Il faut effectuer les raccordements de drainage à la droite, la gauche ou l'arrière de l'appareil. Les dimensions de l'appareil sont 23 1/8 x 23 1/8 po. Si la plateforme est plus large que l'appareil, il se peut que les trous de drainage doivent traverser la plateforme. Les découpes/raccords de drainage doivent être déterminées par l'installateur pour une installation particulière.
3. Placez la plateforme dans l'armoire de service en respectant les dégagements suivants entre la plateforme et la surface intérieure des murs/porte/panneau.:
  - 3 po min. depuis le devant de l'appareil – L'appareil doit être installé à travers le DEVANT de l'enceinte.
  - 3 po min. depuis les deux côtés de l'appareil.
4. Alignez la plateforme avec l'orifice du plenum mural et fixez-la au plancher à l'aide des supports et boulons appropriés.

### Système d'évacuation du condensat

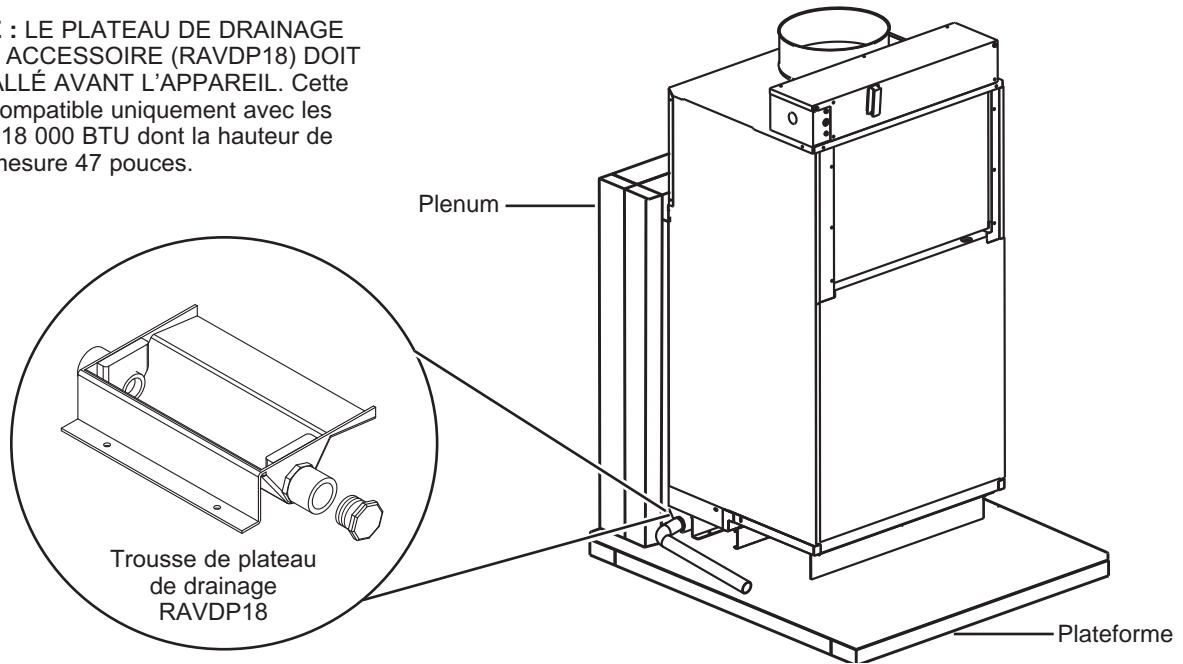
Le système d'évacuation du condensat améliore l'efficacité énergétique au moyen d'un ventilateur installé en usine qui expulse le condensat vers les serpentins extérieurs chauffés.

Une humidité extérieure élevée empêche le chasse-goutte d'expulser tous le condensat, de sorte que le surplus déborde dans le plateau de collecte du condensat puis sort par les raccords de drainage intérieurs de 3/4 po.

**REMARQUE : Si le système d'évacuation du condensat échoue à expulser la totalité du condensat hors de l'appareil, tout surplus débordera du déversoir à l'arrière de l'appareil directement dans le plenum mural, puis s'évacuera à l'extérieur du bâtiment. Cela est un signe que la carrosserie ou le drain nécessite une intervention de service.**

## Installation du plateau de drainage

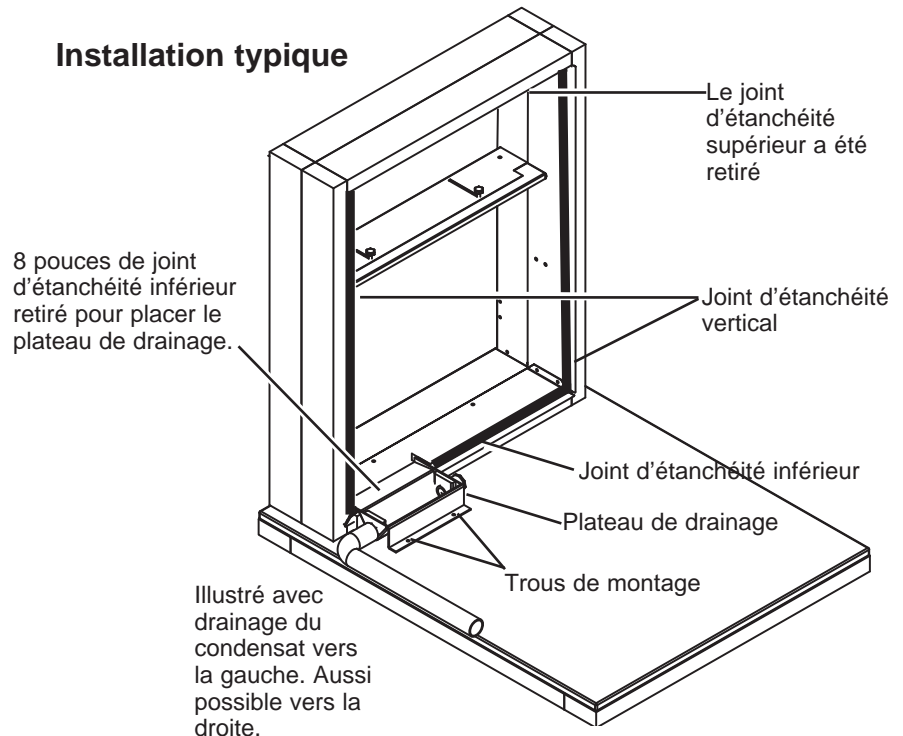
**REMARQUE :** LE PLATEAU DE DRAINAGE OFFERT EN ACCESSOIRE (RAVDP18) DOIT ÊTRE INSTALLÉ AVANT L'APPAREIL. Cette trousse est compatible uniquement avec les appareils de 18 000 BTU dont la hauteur de carrosserie mesure 47 pouces.



1. Installation du plateau de drainage. Reportez-vous aux instructions incluses dans la trousse de plateau de drainage RAVDP18 pour la procédure d'installation appropriée.
2. Placez l'appareil sur la plateforme et glissez son côté extérieur dans le plenum jusqu'à ce qu'il repose à fond.

Un drain extérieur ou intérieur doit être connecté à l'un des deux raccords de drain primaires situés du côté droit et gauche du plateau de drainage. Le déversoir situé à l'arrière de l'appareil constitue un drain secondaire s'il est requis par les codes nationaux ou locaux. Un plateau de condensat secondaire (acheté localement) peut aussi être requis. Reportez-vous aux codes locaux pour l'installation appropriée du drainage.

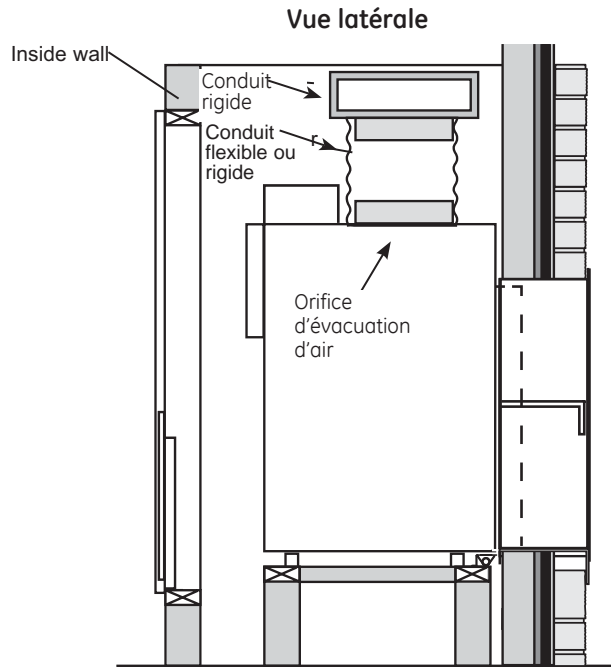
### Installation typique



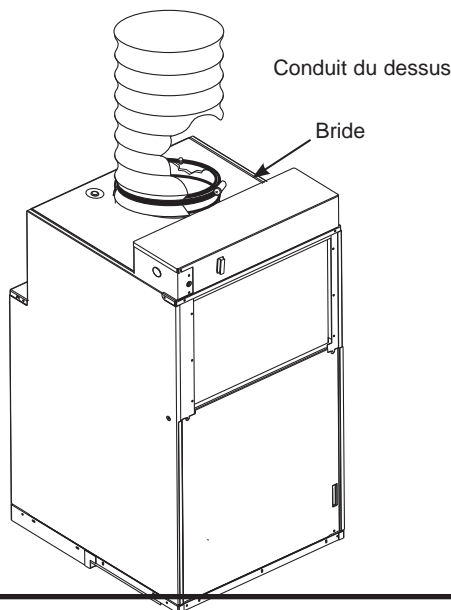
# Instructions d'installation

## Raccordement du conduit de dessus

1. Installez le conduit sur l'orifice d'évacuation d'air.



2. Utilisez une bride achetée localement pour fixer le conduit du dessus à l'orifice d'évacuation d'air.



## Thermostat distant

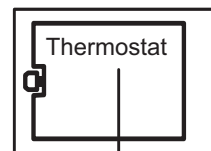
### **⚠ AVERTISSEMENT** Risque de choc électrique

Avant d'effectuer une réparation, coupez l'alimentation électrique du Zoneline à la boîte de fusibles ou au disjoncteur, et tirez sur l'interrupteur d'alimentation sur le devant de la carrosserie.

L'omission de procéder ainsi peut causer des blessures ou le décès.

Tous les appareils monobloc verticaux sont configurés à l'usine pour être commandés par un seul thermostat distant pour le chauffage et la climatisation. Le thermostat peut basculer en mode automatique ou manuel pourvu que la configuration corresponde à l'appareil monobloc.

**REMARQUE:** Voyez les sections Thermostat distant et Connexions de commande à basse tension de ce manuel ainsi que le manuel du thermostat pour les connexions et les réglages appropriés.



### Longueur de fil maximale pour le raccordement du thermostat à l'appareil

66 pi pour AWG 18  
60 pi pour AWG 20  
40 pi pour AWG 24  
AWG – American Wire Gauge



Connexions à l'appareil

### IMPORTANT:

Les connexions de thermostat du Zoneline procurent un courant 24 VCA seulement.

Si l'on utilise un thermostat mural numérique/électronique, il faut le régler pour un courant de 24 VCA. Voyez les Instructions d'installation relatives au thermostat mural.

### AVIS:

Un dommage au thermostat mural ou à l'électronique du Zoneline peut résulter de connexions incorrectes. Le raccordement des fils bleu et noir nécessite une attention particulière. Aucun raccordement à la tension de secteur ne doit être effectué sur quelque circuit du thermostat que ce soit. Isolez tous les fils dans le bâtiment contre la tension de secteur.



# Instructions d'installation

## THERMOSTAT DISTANT ET CONNEXIONS DE COMMANDE À BASSE TENSION

### Raccordement du thermostat mural

Les connexions des bornes sont situées sous le panneau de la boîte de commande.

1. Tirez sur l'interrupteur d'alimentation situé sur le devant de la carrosserie.
2. Coupez l'alimentation à l'appareil au disjoncteur du panneau électrique ou à l'interrupteur monté sur l'armoire de service.
3. Enlevez le panneau de la boîte de commande en retirant les 4 vis frontales et les 3 vis du dessus qui fixent le panneau.
4. Achetez les fils du thermostat à travers le petit trou sur le dessus de la boîte jusqu'aux connexions des bornes sur le côté droit de la commande.
5. Effectuez les connexions selon les instructions incluses avec le thermostat.
6. L'appareil est prêt à l'utilisation une fois les fils connectés aux bornes correspondantes.
7. Replacez le panneau de la boîte de commande.

### Spécifications des bornes du thermostat

Pour la climatisation avec appareils à chauffage électrique : C, R, GL, Y, W.

Pour appareils à thermopompe : C, R, GL, Y, W, B.

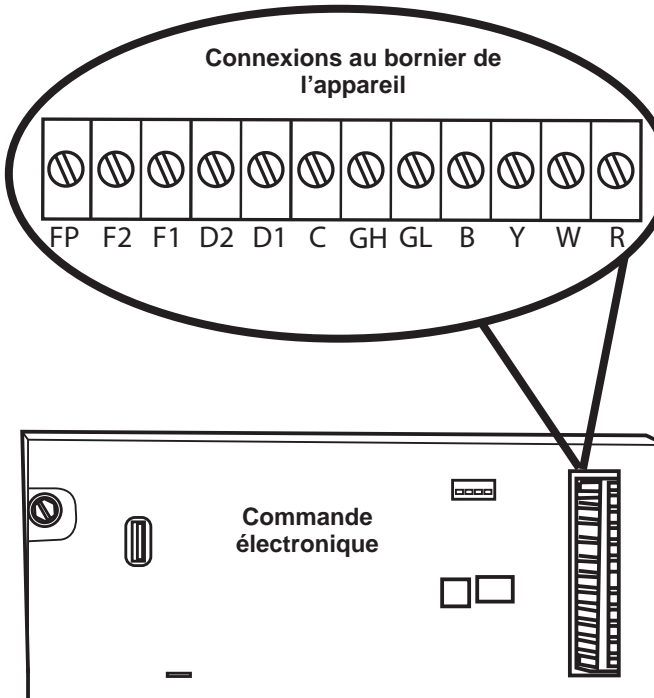
Le thermostat doit pouvoir sélectionner deux vitesses pour faire ce type de connexion.

### Appareils à thermopompe durant le mode Chauffage :

La borne B doit être constamment sous tension. La borne W doit fournir 24 VCA à la sortie pour l'appel de chaleur. La carte de commande décide si elle doit allumer le chauffage par thermopompe (compresseur) ou le chauffage électrique. La borne Y ne doit pas fournir 24 VCA à la sortie durant le mode de chauffage électrique.

### MISE EN GARDE

Un raccordement incorrect à la boîte de commande peut endommager l'électronique du Zoneline et causer un fonctionnement irrégulier. Aucune interconnexion par bus n'est permise. Une paire de fils distincte doit relier chaque interrupteur de commande à chaque appareil Zoneline.



**Connexions au bornier de l'appareil**

Définition de l'interface	
Code de la borne	Fonction de la connexion
FP	Utilisé à l'usine seulement. (S'assurer qu'il n'y a pas de cavalier à FP et F2)
F2	Utilisé avec F1 pour fournir 24 VCA au relais de ventilateur extérieur. (S'assurer qu'il n'y a pas de cavalier à FP et F2)
F1	Utilisés avec F2 pour fournir 24 VCA au relais de ventilateur extérieur.
D2	Utilisé avec D1 pour le fonctionnement marche ou arrêt du pupitre de commande
D1	Utilisé avec D2 pour le fonctionnement marche ou arrêt du pupitre de commande
C	Borne de mise à la terre commune
GH	Appel pour haute vitesse de ventilateur
GL	Appel pour basse vitesse de ventilateur
B	Appel pour robinet inverseur de thermopompe
Y	Appel pour compresseur
W	Appel pour chauffage
R	Tension 24 V de la commande électronique vers le thermostat mural

# Instructions d'installation

## THERMOSTAT DISTANT ET CONNEXIONS DE COMMANDE À BASSE TENSION

### Bornes de connexion pour système de commande centralisé

L'appareil monobloc vertical comporte une configuration intégrée pour des connexions à un interrupteur extérieur afin de contrôler l'alimentation de l'appareil. L'interrupteur peut consister en un système de commande centralisé ou même en un simple contacteur de porte normalement ouvert.

Pour un système commande centralisé, connectez un côté de l'interrupteur à la borne D1 et l'autre côté à la borne D2. La fermeture de l'interrupteur entraînera aussitôt l'arrêt du fonctionnement de l'appareil.

REMARQUE : Le système de commande centralisé et les interrupteurs doivent être achetés localement.

### Longueur de fils maximale pour un interrupteur d'un système de commande centralisé

Calibre de fil	Longueur maximale
#24	400 pi
#22	600 pi
#20	900 pi
#18	1500 pi
#16	2000 pi

### Commande de ventilateur auxiliaire

Le système Smart Center dispose aussi de la capacité de contrôler un relais 24 VCA pour activer un ventilateur auxiliaire/de transfert. Les sorties sont désignées F1 et F2 sur la carte de commande.

Pour connecter le relais, reliez un côté du relais à F1 et l'autre côté à F2. À chaque activation du ventilateur, les bornes transmettront un signal 24 VCA au relais. Le relais doit être de 24 VCA, 100 mA ou moins.

REMARQUE : Le relais et les ventilateurs auxiliaires doivent être achetés localement.

REMARQUE : Il incombe à l'installateur de s'assurer que toutes les connexions des fils de commande soient réalisées en conformité avec les instructions d'installation. Un raccordement incorrect du filage de commande du thermostat et/ou l'altération du filage intérieur de l'appareil peut annuler la garantie de l'équipement et causer des dommages à la propriété, des blessures ou le décès.

### Grille/panneau de retour d'air

Installez la grille de retour d'air ou le panneau d'accès. Reportez-vous aux instructions incluses avec la trousse choisie.

## RACCORDEMENTS ÉLECTRIQUES

### 1. RETRAIT DU PANNEAU DE LA BOÎTE DE COMMANDE

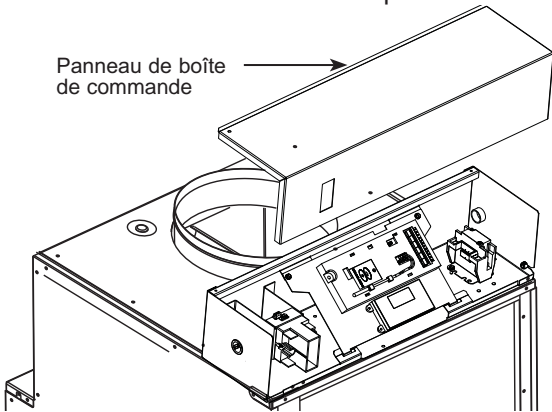
#### **⚠ AVERTISSEMENT** Risque de choc électrique

Avant d'effectuer une réparation, coupez l'alimentation électrique du Zoneline à la boîte des fusibles ou au disjoncteur et retirez l'interrupteur d'alimentation sur le devant de la carrosserie.

L'omission de procéder ainsi peut causer des blessures et/ou le décès.

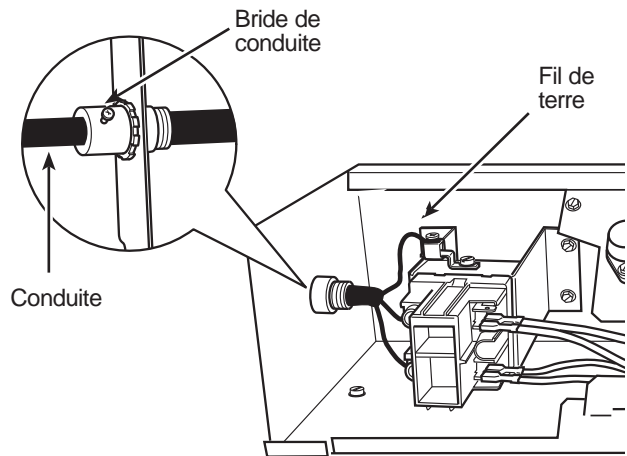
Enlevez le panneau de la boîte de commande en retirant les 2 vis dans le haut du panneau.

Panneau de boîte de commande



### 2. FIXATION DE LA CONDUITE ÉLECTRIQUE

Percez le disque défonçable du trou rond sur le côté gauche de la boîte de commande pour installer la conduite électrique provenant du circuit de dérivation. Installez et fixez la conduite à travers sa bride et acheminez les fils jusqu'à la boîte de jonction. Laissez une longueur de fil libre de 8 po à partir de l'extrémité de la conduite.



### 3. CONNEXION DES FILS À L'INTÉRIEUR DE LA BOÎTE DE COMMANDE

#### **⚠ AVERTISSEMENT** RISQUE DE CHOC ÉLECTRIQUE

Peut causer des blessures ou le décès. Cet appareil doit être mis à la terre correctement.

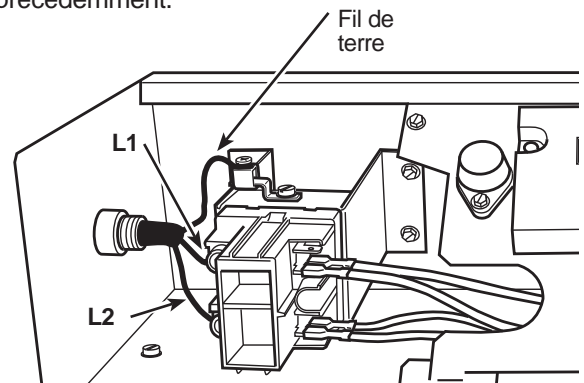
Coupez l'alimentation électrique avant de procéder à une réparation ou une installation.

Tirez sur l'interrupteur d'alimentation situé sur le devant de la carrosserie. Coupez l'alimentation à l'appareil depuis le disjoncteur du panneau électrique ou celui monté dans l'armoire de service.

#### REMARQUE:

- Toutes les connexions électriques et le câblage doivent être installés par un électricien agréé et satisfaire le code national de l'électricité ainsi que tous les codes locaux en vigueur
- Tout le câblage de la carrosserie doit comporter des disjoncteurs du calibre approprié. Utilisez des disjoncteurs de type HACR (chauffage, climatisation) afin d'éviter les déclenchements nuisibles.
- L'appareil doit être mis à la terre correctement.

1. Effectuez toutes les connexions à l'aide de connecteurs électriques et de méthodes homologués UL.
2. Assurez-vous que tous les fils se trouvent à l'intérieur de la boîte de commande et qu'ils ne sont pas coincés entre le panneau et l'appareil. Le fil de terre isolé vert provenant du Zoneline DOIT ÊTRE connecté au fil de terre du circuit de dérivation.
3. Remplacez le panneau de la boîte de commande et fixez-le à l'appareil à l'aide des 2 vis retirées précédemment.



## Instructions d'installation

## RACCORDEMENTS ÉLECTRIQUES (suite)

## RACCORDEMENT DIRECT

<b>Tension pour chauffage @ 230/208 Volts</b>	<b>Dispositif de protection des circuits</b>
2,50/2,05 KW 3,40/2,78 KW 5,00/4,09 KW	Fusible temporisé ou disjoncteur 15 ampères Fusible temporisé ou disjoncteur 20 ampères Fusible temporisé ou disjoncteur 30 ampères
<b>Tension pour chauffage @ 265 Volts</b>	<b>Dispositif de protection des circuits</b>
2,50 KW 3,40 KW 5,00 KW	Fusible temporisé ou disjoncteur 15 ampères Fusible temporisé ou disjoncteur 20 ampères Fusible temporisé ou disjoncteur 30 ampères

\* See NEC for application for 265 Volts.

## FINALISATION DE L'INSTALLATION

## LISTE DE VÉRIFICATION DE L'INSTALLATION

- Toutes les instructions d'installation relatives aux dégagements autour de l'appareil ont été respectées.
- Tous les composants et les accessoires ont été installés correctement et ils n'ont pas été endommagés pendant l'installation.
- Le solin du plenum mural est installé, le plenum est de niveau et calfeutré.
- L'unité est de niveau, de l'avant vers l'arrière et de la gauche vers la droite.
- Le filtre à air et les serpentins intérieurs et extérieurs sont exempts d'obstructions.
- Un seul filtre à air est installé dans le système.
- Le ou les drains d'évacuation du condensat sont bien raccordés, qu'ils suffiront à évacuer le condensat et qu'ils sont approuvés par l'utilisateur final.
- Le système de conduits est bien raccordé et fixé à l'orifice d'évacuation d'air.
- Tous les panneaux d'accès sont bien fixés (p.ex. le panneau frontal et/ou la boîte de commande).
- Le thermostat mural est câblé correctement.
- L'appareil est câblé correctement.
- Le ou les disjoncteurs/fusibles et les fils du circuit électrique sont du calibre approprié.
- L'appareil est relié à un seul circuit et il dispose de la tension (volts) et de la mise à la terre appropriées.
- L'ensemble de l'installation satisfait aux codes et règlements locaux et nationaux en vigueur.

## MISE SOUS TENSION DE L'APPAREIL

1. Si tous les éléments de la liste de vérification sont corrects, remettez en place l'interrupteur d'alimentation sur le devant de l'appareil.
2. Rétablissez le courant à l'appareil (ON) au panneau de service principal.
3. Allumez le thermostat et réglez-le de façon à démarrer l'appareil.
4. Vérifiez le fonctionnement de l'appareil dans chaque mode. Informez le propriétaire ou l'utilisateur du fonctionnement de l'appareil et du calendrier d'entretien régulier.

**REMARQUE:** Conseillez au propriétaire ou à l'utilisateur de tenir un registre de maintenance et de réparation daté.

## ENTRETIEN ET RÉPARATION

 **AVERTISSEMENT**

**Risque de choc électrique pouvant causer des blessures ou le décès** Avant de procéder à l'entretien ou à une réparation, coupez l'alimentation électrique au panneau de service et verrouillez la zone afin de prévenir toute remise sous tension accidentelle. Si cela est impossible, fixez solidement une signalisation d'avertissement, p.ex. une étiquette, sur le panneau de service.

**REMARQUE:** Nous recommandons fortement que l'entretien et la réparation soient effectués par une personne qualifiée.

**Pour retirer l'appareil de l'armoire.**

1. Éteignez le thermostat mural.
2. Tirez sur l'interrupteur d'alimentation situé sur le devant de la carrosserie.
3. Coupez l'alimentation électrique à l'appareil à partir du disjoncteur du panneau principal ou de celui monté sur l'armoire.
4. Débranchez la connexion électrique à l'appareil.
5. Déconnectez le système de drainage.
6. Déconnectez le système de conduits.
7. Glissez la carrosserie à l'extérieur du plenum mural.
8. Retirez la carrosserie de l'armoire de service.

## Bruits de fonctionnement normaux

**PING! POP!**  


Il est possible que vous entendiez un tintement causé par les gouttes recueillies et projetées contre le condensateur par temps pluvieux ou d'humidité élevée. Cette conception améliore la déshumidification et l'efficacité de l'appareil.

**"CLIC"**

Le déclic des relais peut se faire entendre lorsque les commandes fonctionnent de façon cyclique ou lorsque vous les réglez pour modifier la température ambiante.

**GOUTTES**  


Par temps pluvieux ou d'humidité élevée, de l'eau est recueillie dans le plateau de l'appareil. Celui-ci peut déborder et de l'eau peut s'écouler du côté extérieur de l'appareil.

**BRUISSEMENT**



Le ventilateur intérieur fonctionne continuellement lorsque l'appareil est en mode de refroidissement, sauf si la commande auxiliaire Smart Fan (Ventilateur intelligent) est réglée pour fonctionner en cycles. Dans ce dernier cas, le ventilateur s'allumera et s'arrêtera en parallèle avec le compresseur et un bruissement pourra se faire entendre.

À certains moments, le ventilateur fonctionnera même si l'appareil n'est pas en mode chauffage ou refroidissement. Si le ventilateur intérieur est réglé en continu, il fonctionnera peu importe qu'il n'y ait ni chauffage ni refroidissement. À d'autres moments, le ventilateur fonctionnera plus longtemps que le cycle chauffage-refroidissement ou il démarrera à l'occasion. Cela est normal et vise à améliorer le confort et l'équilibre ambiant.

Si l'appareil est doté d'une ventilation en air d'appoint, les ventilateurs fonctionneront continuellement.

**Délai de 3 minutes**



Vous remarquerez peut-être un délai de quelques minutes au démarrage si vous tentez de redémarrer le Zoneline trop tôt après l'avoir éteint, ou si vous réglez le thermostat immédiatement après l'arrêt du compresseur. Ce délai de 3 minutes est attribuable à un dispositif de protection intégré du compresseur.

**SILENCE**

Pendant le cycle de dégivrage, les ventilateurs intérieur et extérieur s'arrêtent et le compresseur fonctionne en mode de refroidissement afin d'éliminer le givre sur les serpentins extérieurs. Après le dégivrage, l'appareil redémarre en mode chauffage pour réchauffer rapidement la pièce au niveau de confort désiré.

**PROTECTION DU COMPRESSEUR**

Pour protéger le compresseur et prévenir les cycles courts, l'appareil est conçu pour fonctionner pendant un minimum de 3 minutes après le démarrage du compresseur à n'importe quel réglage du thermostat.

# Conseils de dépannage... avant d'appeler le service

Économisez temps et argent! Examinez d'abord les tableaux suivants, un appel de service sera peut-être inutile.

Problème	Cause probable	Correctifs
Le Zoneline de démarre pas.	<b>Le fusible est grillé ou le disjoncteur est déclenché.</b>	Vérifiez le panneau de distribution électrique de la résidence et remplacez le fusible grillé ou réenclenchez le disjoncteur.
	<b>L'appareil attend que le limiteur de surcharge du compresseur se réinitialise.</b>	Cela est normal. Le Zoneline redémarrera après sa réinitialisation.
	<b>Panne de courant.</b>	Un délai de protection (jusqu'à 3 minutes) prévient le déclenchement du limiteur de surcharge du compresseur. C'est pourquoi il est possible que le chauffage ou la climatisation ne reprenne pas avant 3 minutes après le rétablissement du courant.
La climatisation ou le chauffage du Zoneline est insuffisant.	<b>La circulation d'air intérieur est restreinte.</b>	Assurez-vous que l'avant du Zoneline n'est pas obstrué par des rideaux, des stores ou des meubles.
	<b>La circulation d'air extérieur est restreinte ou recirculée.</b>	Assurez-vous que la persienne architecturale n'est pas bloquée. Cela pourrait causer l'interruption de l'appareil par le limiteur de surcharge du compresseur.  La grille extérieure doit présenter une superficie libre d'au moins de 65 %. Les grilles d'une autre marque que GE Appliances peuvent être trop restrictives pour assurer un rendement approprié. Consultez votre revendeur si vous avez besoin d'aide.
	<b>Le filtre à air est sale</b>	Remplacez le filtre au moins tous les 30 jours. Reportez-vous à la section Entretien et nettoyage – Filtres à air.
	<b>La température dans la pièce était peut-être basse ou élevée..</b>	Lorsque le Zoneline est mis en marche pour la première fois, il faut attendre un certain temps pour refroidir ou réchauffer la pièce.
	<b>De l'air extérieur entre dans la pièce.</b>	Réglez la commande d'évent à la position fermée.
<b>Une odeur de brûlé est perceptible au démarrage du mode chauffage.</b>	<b>De la poussière se trouve à la surface des éléments chauffants.</b>	Cela peut produire une odeur de « brûlé » au démarrage du mode chauffage. Cette odeur devrait disparaître rapidement.
L'air n'est pas toujours chaud ou froid pendant le fonctionnement.	<b>La thermopompe ne produit pas d'air chaud.</b>	Cela est normal. La thermopompe produit de l'air tiède qui n'est pas aussi chaud que celui fourni par le chauffage électrique, plus coûteux à l'utilisation.
	<b>L'interrupteur du ventilateur est peut-être réglé en mode continu.</b>	Cela fait en sorte que le ventilateur souffle de l'air à température de la pièce même lorsque le compresseur ou l'élément chauffant sont mis en arrêt. Le mouvement continu de l'air procure un meilleur contrôle de la température en mode climatisation.
<b>L'air ne semble pas suffisamment chaud durant le mode chauffage.</b>	<b>La thermopompe seule génère de l'air qui semble plus froide que ce que l'on souhaite.</b>	Utilisez l'option de chauffage électrique. Cela aura pour effet d'éteindre la thermopompe et de chauffer à l'électricité seulement. REMARQUE : L'utilisation de cette option augmentera la consommation d'énergie.

## Diagnostique des codes d'erreur de la commande électronique et mode Test

### Diagnostique des codes d'erreur

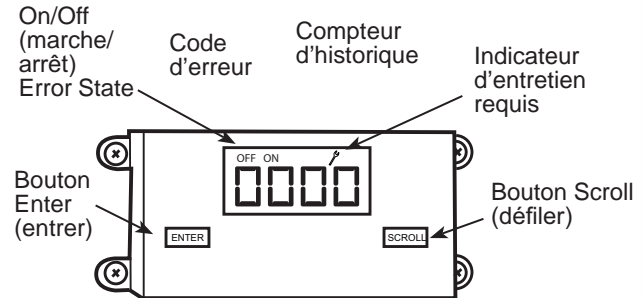
La commande électronique de l'appareil monobloc vertical (SPVU) surveille constamment le fonctionnement de l'appareil et enregistre les codes d'erreur si certaines anomalies sont détectées. Dans certains cas, l'appareil réagira et interrompra le fonctionnement jusqu'à la correction des anomalies.

Pour accéder au menu des codes d'erreur, appuyez sur le bouton ENTER (entrer). Le code d'erreur va s'afficher le cas échéant. Si plusieurs codes sont présents, vous pouvez basculer entre les codes à l'aide du bouton SCROLL (défiler). Pour effacer tous les codes, appuyez sur ENTER et SCROLL durant trois secondes en mode code d'erreur.

### Codes d'erreur et état de l'alarme

Panneau de commande de l'appareil

L'afficheur ci-dessous comporte quatre chiffres. Les deux de gauche indiquent le code d'erreur (1 à 24), les icônes On/Off (marche/arrêt) au-dessus de ces chiffres indiquent l'état courant du code. Les deux chiffres de droite indiquent le compte de l'historique (jusqu'à 99) du code associé. L'afficheur comporte aussi une icône d'entretien (clé) qui s'allume pour signaler que l'appareil nécessite un entretien.



#### Vérification des codes d'erreur :

1. Appuyez sur ENTER pour activer l'afficheur..
2. Chaque pression sur le bouton SCROLL affiche le code d'erreur suivant.

#### Mise à zéro du compteur d'historique :

1. Appuyez simultanément sur les boutons ENTER et SCROLL durant environ 6 secondes.

Code d'erreur	Problème	Action
1	Bouton sur le panneau avant bloqué durant plus de 20 secondes.	Poursuivre en surveillant l'indication « OPEN (ouverture) » (déblocage) concernant l'interrupteur. Ne pas traiter l'entrée relative à l'interrupteur.
2	Tension d'entrée hors spécification (103 - 127 / 187 - 253)	L'unité s'arrête; ouvrir les relais jusqu'à ce que la tension soit conforme aux spécifications, puis remettre en marche.
3	Le circuit de la sonde de température intérieure est ouvert ou en court-circuit	L'unité fonctionne par défaut à 24 °C (75 °F) en mode REFROIDISSEMENT ou à 20 °C (68 °F) en mode CHAUFFAGE et continue à fonctionner.
4	Le circuit de la sonde de température de serpentin intérieur est ouvert ou en court-circuit	Le tableau de commande de l'unité passe à la température par défaut de 4 °C (40 °F). Il y a contournement de la sonde et l'unité continue à fonctionner.
5	Le circuit de la sonde de température de serpentin extérieur est ouvert ou en court-circuit	L'unité passe à la température par défaut de -7 °C (20 °F), en contournant la sonde. L'unité continue à fonctionner. En mode CHAUFFAGE, elle fonctionne à l'électricité le cas échéant. En l'absence d'électricité, elle fonctionne en mode POMPE À CHALEUR si la température extérieure le permet.
6	Température de serpentin extérieur > (supérieure à) 79 °C (175 °F)	L'unité s'arrête pendant 5 minutes, puis se remet en marche durant 3 minutes. Au bout de 3 tentatives infructueuses, la gravité du défaut est suffisante pour que l'unité soit mise hors service, avec verrouillage.
7	Température de serpentin intérieur < (inférieure à) -1 °C (30 °F) durant 2 minutes consécutives	Le compresseur s'arrête et le ventilateur fonctionne à haute vitesse. Lorsque la température de serpentin atteint 7 °C (45 °F), l'unité se remet en marche après expiration de la durée de verrouillage.
8	Le nombre de cycles de fonctionnement de l'unité est > (supérieur à) 9 par heure	L'unité continue à fonctionner et à faire l'objet d'une surveillance.
9	Le nombre de cycles de fonctionnement de l'unité est < (inférieur à) 3 par heure	L'unité continue à fonctionner et à faire l'objet d'une surveillance.
10	Protection contre le gel dans la pièce	À utiliser uniquement lorsqu'on dispose d'un chauffage électrique. Faire fonctionner sur Haute vitesse et Chauffage électrique jusqu'à ce que la température de la pièce atteigne 8 °C (46 °F). L'unité affiche « FRZ » lorsqu'elle fonctionne.
11	Problème de thermostat mural (WallStat) ou défaut de raccordement	L'appareil ne fonctionnera pas.
12	Sans objet	Sans objet
13	Le manostat de limite haute est ouvert	Lorsque l'unité fonctionne en mode refroidissement ou que la pompe à chaleur est en marche, le compresseur s'arrête. Faire fonctionner le ventilateur à haute vitesse jusqu'à ce que le manostat se ferme puis remettre en marche. Lorsque le manostat s'est ouvert 3 fois en 1 heure, l'unité se verrouille hors service. S'applique seulement à l'unité de 24k.
14	Sans objet	Sans objet
15	Erreur Pompe à chaleur	Lorsque la température de serpentin intérieur demeure inférieure à la température ambiante pendant 3 minutes, l'unité répond à la demande de chauffage en utilisant l'électricité.
16	Température au-delà des limites de fonctionnement	Cette situation se produit lorsque la température ambiante descend sous -18 °C (0 °F) ou dépasse 54 °C (130 °F). Le code d'erreur demeure affiché jusqu'à ce que la température revienne dans la plage de service ; l'unité se remet ensuite à fonctionner normalement.
17	La configuration de l'équipement ne correspond pas au minimum exigé	Le compresseur doit être activé et le ventilateur doit pouvoir fonctionner au moins à 2 vitesses.
18	Sans objet	Sans objet
19	Sans objet	Sans objet
20	Sans objet	Sans objet
21	Sans objet	Sans objet
22	Température de serpentin extérieur < (inférieure à) -1 °C (30 °F) durant 2 minutes consécutives	L'unité répond à la demande de chauffage en utilisant l'électricité jusqu'à ce que la température soit supérieure ou égale à 7 °C (45 °F). S'applique uniquement aux modèles avec pompe à chaleur.
23	Protection contre le gel	L'unité fonctionne en mode dégivrage actif au moins 6 minutes lorsque la durée de fonctionnement de la pompe à chaleur est supérieure à 60 minutes et que la température de serpentin extérieur est égale ou inférieure à -3 °C (26 °F).
24	Sans objet	Sans objet





# Inscription du propriétaire d'électroménager

**Veillez suivre les étapes suivantes pour protéger votre investissement :**

**1 Remplissez et postez votre fiche d'inscription du propriétaire aujourd'hui.**  
Vous aurez ainsi la quiétude de savoir que nous pourrions vous contacter en cas de modification pour améliorer la sécurité.

**2** Après avoir posté la fiche d'inscription ci-dessous, rangez ce document dans un endroit sûr. Il contient des renseignements dont vous aurez besoin en cas d'appel de service. Notre numéro de service est le 844-GE4-PTAC (ou 844-434-7822).

**3** Veillez lire votre manuel d'utilisation attentivement. Il vous aidera à utiliser votre nouvel électroménager d'une façon appropriée.

✂ Découper ici

## CONSUMER PRODUCT OWNERSHIP REGISTRATION

Three ways to register your appliance:



**SCAN**  
this code with your smart-phone app

**GO ONLINE**  
[geappliances.com/register](http://geappliances.com/register)

**COMPLETE & MAIL**  
this registration card

Product:

Model:

Serial:

Mr.  Mrs.  Ms.

First Name  Last Name

Street Address  Apt.#

Email Address

We'll use your email address to send you information about your product, as well as discounts and other offers from GE Appliances

City  State  ZIP Code

Month  Day  Year  Phone Number  (  )

Date appliance was installed or placed in use

GE Appliances takes your privacy seriously. All information you provide shall be held in strict accordance with the GE Appliances Privacy Policy. Read the full policy at [www.geappliances.com/privacy/privacy\\_policy.htm](http://www.geappliances.com/privacy/privacy_policy.htm).

[geappliances.com/register](http://geappliances.com/register)

Revised 6/15  
245D1499P001

✂ Découper ici

## FOR CANADIAN CONSUMERS / POUR LES CONSOMMATEURS CANADIENS

### OWNERSHIP REGISTRATION CERTIFICATE FICHE D'INSCRIPTION DU PROPRIÉTAIRE

MODEL/MODÈLE

SERIAL/SÉRIE

P.O. BOX/C.P. 1780  
MISSISSAUGA, ONT. L4V 4G1

INSTALLATION DATE Y/A M  
DATE D'INSTALLATION

PLEASE COMPLETE AND RETURN THIS CARD IMMEDIATELY TO ENABLE US TO CONTACT YOU IN THE REMOTE EVENT A SAFETY NOTIFICATION IS ISSUED FOR THIS PRODUCT.

VEUILLEZ REMPLIR ET RETOURNER LA PRÉSENTE FICHE SANS TARDER AFIN DE NOUS PERMETTRE DE COMMUNIQUER AVEC VOUS SI JAMAIS UN AVIS DE SÉCURITÉ CONCERNANT CE PRODUIT ÉTAIT ÉMIS.

CHECK ONE COCHEZ	MR. <input type="checkbox"/> MISS <input type="checkbox"/>	MRS. <input type="checkbox"/> MME <input type="checkbox"/>	FIRST NAME/PRÉNOM	LAST NAME/NOM
STREET NO. N° RUE	STREET NAME/RUE		APT.NO./APP./RR#	
CITY/VILLE	PROVINCE	POSTAL CODE/POSTAL		
AREA CODE IND. REG.	TELEPHONE	NAME OF SELLING DEALER/NOM DU MARCHAND		

Canada consumers, visit [geappliances.ca/register/index.jsp](http://geappliances.ca/register/index.jsp)

CORRESPONDENCE  
CORRESPONDANCE

FRENCH  
FRANÇAIS

ENGLISH  
ANGLAIS

245D1499P002  
Revised 06/14

# Inscription du propriétaire d'électroménager

---

Please place in envelope and mail to:

PRODUCT REGISTRATION DEPARTMENT  
PO BOX 34980  
LOUISVILLE KY 40232-4980

Please place in envelope and mail to:  
Veuillez mettre dans une enveloppe et envoyez à :

OWNERSHIP REGISTRATION  
PO BOX 1780  
MISSISSAUGA, ONTARIO  
L4Y 4G1

# Garantie du climatiseur Zoneline de GE Appliances

**GARANTIE**

Toutes les réparations sous garantie sont effectuées par nos Centres de service ou par nos réparateurs autorisés Customer Care®. Vous pouvez prendre rendez-vous en ligne sur [GEAppliances.com](http://GEAppliances.com) ou en composant le 844-GE4-PTAC (ou 844-434-7822). Au Canada, communiquez avec la firme Gordon Williams Corp. Au 1.888.209.0999. Lorsque vous appelez, veuillez avoir les numéros de série et de modèle à portée de la main.

Pendant :	GE Appliances remplacera :
<b>Un an</b> à compter de la date d'achat d'origine	<b>Toute pièce</b> du climatiseur qui se révèle défectueuse en raison d'un vice de matières ou de fabrication. Au cours de cette <b>garantie limitée d'un an</b> , GE couvrira <b>gratuitement</b> les frais de main-d'œuvre et les frais de service associés pour remplacer la pièce défectueuse.
<b>Cinq ans</b> à compter de la date d'achat d'origine	<b>Toute pièce du système frigorifique scellé</b> (le compresseur, le condensateur, l'évaporateur et toute la tubulure de raccordement y compris le système d'air d'appoint) qui se révèle défectueuse en raison d'un vice de matières ou de fabrication. Au cours de cette garantie limitée de cinq ans, GE couvrira <b>gratuitement</b> les frais de main-d'œuvre et les frais de service associés pour remplacer la pièce défectueuse.
<b>La deuxième à la cinquième année</b> à compter de la date d'achat d'origine	<b>De la deuxième à la cinquième année</b> à partir de la date d'achat d'origine, GE Appliances remplacera <b>certaines pièces</b> défectueuses en raison d'un vice de matières ou de fabrication. Les pièces sous garantie sont les moteurs de ventilateur, le limiteur de surcharge du compresseur, les solénoïdes, les cartes de circuit, les commandes auxiliaires, les thermistances, les commandes antigel, la pompe d'évacuation du condensat, les condensateurs, les varistances et le roulement de la soufflerie intérieure. Au cours de cette <b>garantie supplémentaire de 4 ans</b> , vous devrez assumer tous les frais de main-d'œuvre et de service associés

## Ce qui n'est pas couvert :

- Toute visite à votre domicile pour vous expliquer le fonctionnement de l'appareil.
- Une installation, une livraison ou un entretien inadéquats.  
Pour tout problème d'installation, ou si le climatiseur n'assure pas une climatisation adéquate, communiquez avec votre détaillant ou votre installateur. Vous avez la responsabilité de fournir les installations appropriées pour les raccordements électriques.
- Dans les établissements commerciaux, la main-d'œuvre nécessaire pour amener l'appareil à un endroit où il pourra être accessible aux fins de réparation par un technicien.
- Les défauts ou les dommages attribuables à la corrosion causée par une installation dans un milieu contenant des produits chimiques corrosifs.
- Le remplacement des fusibles ou le réenclenchement des disjoncteurs.
- Une défektivité attribuable à une modification du produit, une utilisation déraisonnable ou un entretien inadéquat ou négligent.
- Les défauts ou les dommages attribuables à la corrosion en raison d'une installation dans un environnement côtier, sauf dans le cas des modèles ayant subi un traitement anticorrosion appliqué à l'usine tel qu'indiqué par le numéro de modèle.
- Les dommages au produit attribuables à une alimentation électrique inadéquate, un accident, un incendie, une inondation ou un cas de force majeure.
- Tout dommage direct ou indirect à la propriété causé par une éventuelle défektivité de ce climatiseur.
- Les dommages survenus après la livraison.
- Le produit en cas d'impossibilité d'y avoir accès pour procéder à la réparation demandée.

**EXCLUSION DE GARANTIES IMPLICITES - Votre seul et unique recours consiste dans la réparation du produit selon les dispositions de cette Garantie limitée. Toutes les garanties implicites, incluant les garanties de qualité marchande et de convenance, sont limitées à une année ou à la période la plus courte autorisée par la loi.**

Cette garantie est offerte à l'acheteur initial et à tout propriétaire subséquent d'un produit acheté en vue d'une utilisation aux États-Unis et au Canada. Si le produit est installé dans une région non desservie par un réparateur autorisé GE Appliances, vous pourriez être tenu d'assumer des frais de déplacement ou d'apporter le produit à un centre de réparation autorisé GE Appliances. En Alaska, la garantie ne couvre pas les frais d'expédition et les appels de service à votre domicile.

Dans certains États ou provinces, il est interdit d'exclure ou de limiter les dommages directs ou indirects. La présente garantie vous confère des droits juridiques spécifiques. Vous pouvez bénéficier d'autres droits qui varient d'une province ou d'un État à l'autre. Pour connaître les droits dont vous bénéficiez dans votre région, communiquez avec des relations avec les consommateurs de votre région ou encore le Procureur général de votre État.

**Garant : GE Appliances**

# Inscription du propriétaire d'électroménager

---

## Site Web de GE Appliances

Vous avez une question ou vous avez besoin d'aide pour votre appareil électroménager? Visitez le site Web de GE Appliances 24 heures par jour, tous les jours de l'année! Vous pouvez aussi y trouver d'autres formidables produits GE Appliances et tirer avantage de tous nos services d'assistance en ligne. Aux États-Unis : **GEAppliances.com**  
Au Canada : **GEAppliances.ca**

---

## Enregistrez votre électroménager

Enregistrez votre nouvel appareil en ligne au moment qui vous convient le mieux! L'enregistrement de votre produit dans les délais prescrits permet une meilleure communication et un service rapide, selon les modalités de votre garantie, si besoin est. Vous pouvez également envoyer par courrier la carte d'enregistrement pré-imprimée qui se trouve dans l'emballage de votre appareil.

Aux États-Unis : **GEAppliances.com/register**

Au Canada : **Prodsupport.mabe.ca/crm/Products/ProductRegistration.aspx**

---

## Service de réparation

Un service de réparation expert GE Appliances se trouve à quelques pas de chez vous. Rendez-vous sur notre site et programmez, à votre convenance, une visite de réparation à n'importe quel jour de l'année.

Aux États-Unis : **GEAppliances.com/ge/service-and-support/service.htm** ou composez le 800.432.2737 durant les heures normales de bureau.

Au Canada : **GEAppliances.ca/en/support/service-request** ou composez le 800.561.3344

---

## Prolongation de garantie

Procurez-vous une prolongation de garantie GE Appliances et informez-vous des rabais spéciaux en vigueur pendant la durée de votre garantie. Vous pouvez vous la procurer en ligne en tout temps. Les services GE Appliances seront toujours disponibles après l'expiration de la garantie. Aux États-Unis :

**GEAppliances.com/ge/service-and-support/shop-for-extended-service-plans.htm** ou composez le 800.626.2224 durant les heures normales de bureau.

Au Canada : **GEAppliances.ca/en/support/purchase-extended-warranty** ou composez le 800.290.9029

---

## Connectivité à distance

Pour de l'assistance concernant la connectivité au réseau sans fil (pour les modèles équipés de cette fonction), visitez notre site Web au **GEAppliances.com/ge/connected-appliances/** ou composez le 800.220.6899 aux États-Unis seulement.

---

## Pièces et accessoires

Les personnes ayant les compétences requises pour réparer elles-mêmes leurs appareils peuvent recevoir directement à la maison des pièces ou accessoires (les cartes VISA, MasterCard et Discover sont acceptées). Commandez en ligne 24 heures par jour.

Aux États-Unis : **GEApplianceparts.com** ou par téléphone au 877.959.8688 durant les heures normales de bureau.

**Les instructions contenues dans le présent manuel comportent des procédures que tout utilisateur peut effectuer. Les autres types de réparation doivent généralement être confiés à un technicien qualifié. Utilisez de prudence : une réparation ou un entretien mal effectués peuvent rendre l'utilisation de l'appareil dangereuse.**

Les consommateurs au Canada doivent consulter les pages jaunes pour connaître le centre de service Mabe le plus proche, visiter notre site Web au **GEAppliances.ca/en/products/parts-filters-accessories** ou composer le 1.800.661.1616.

---

## Communiquez avec nous

Si vous n'êtes pas satisfait du service après-vente de GE Appliances, communiquez avec nous depuis notre site Web en fournissant tous les détails dont votre numéro de téléphone, ou écrivez à :

Aux États-Unis : General Manager, Customer Relations | GE Appliances, Appliance Park | Louisville, KY 40225  
**GEAppliances.com/ge/service-and-support/contact.htm**

Au Canada : Director, Consumer Relations, Mabe Canada Inc. | Suite 310, 1 Factory Lane | Moncton, N.B. E1C 9M3  
**GEAppliances.ca/en/contact-us**



# Acondicionador de Aire<sup>®</sup> Vertical Zoneline

**INFORMACIÓN DE SEGURIDAD** ..... 3

**USO DEL ZONELINE**

Desconexión de la Corriente ..... 4

Control de la Ventilación ..... 4

Protección de Congelamiento del Ambiente. .... 4

Acerca de la Bomba de Calor ..... 4

**CUIDADO Y LIMPIEZA**

Filtros de Aire..... 5

Drenaje..... 5

Bobinas Internas/ Externas ..... 6

Olla de la Base ..... 6

**INSTRUCCIONES DE INSTALACIÓN**

Preparación..... 7, 8

Conducto ..... 8

Accesorios..... 9

Opciones de Rejilla de Aire de Retorno .10

Ubicaciones de Conexión en Armarios Utilitarios ..... 10

Armario Típico y Dimensiones ..... 11

Secuencia de Instalación ..... 12

Instalación del Plénium ..... 12

Instalación de la Rejilla ..... 12

Plataforma de la Base de Armado..... 12

Conexión del Drenaje ..... 13

Conexión al Conducto Superior..... 14

Termostato ..... 15, 16

Conexiones Eléctricas ..... 17, 18

Lista de Control de la Instalación ..... 18

Conexión de la Corriente ..... 18

**CONSEJOS PARA SOLUCIONAR PROBLEMAS**

Sonidos Normales de Funcionamiento .. 19

Consejos para Solucionar Problemas ... 20

Códigos de Error ..... 21

**SOPORTE AL CONSUMIDOR**

Registro del Producto ..... 23, 24

Garantía ..... 25

Soporte al Consumidor ..... 26

## MANUAL DEL PROPIETARIO

Modelos con Bomba de Calor  
AZ91  
Chasis Grande

Escriba los números de modelo y de serie aquí:

Nº de Modelo \_\_\_\_\_

Nº de Serie \_\_\_\_\_

Los encontrará en una etiqueta en el panel frontal.

## **GRACIAS POR HACER QUE GE APPLIANCES SEA PARTE DE SU HOGAR**

Ya sea que haya crecido con GE Appliances, o que esta sea su primera vez, estamos felices de tenerlo en la familia.

Sentimos orgullo por la creación, innovación y diseño de cada producto de GE Appliances, y creemos que usted también. Entre otras cosas, el registro de su electrodoméstico nos asegura que podamos entregarle información importante del producto y detalles de la garantía cuando los necesite.

Registre su electrodoméstico GE Appliances a través de Internet. Sitios Web útiles y números telefónicos están disponibles en la sección de Soporte al Consumidor de este Manual del Propietario. También puede enviar la tarjeta de inscripción pre-impresa que se incluye en el reverso de este manual.



**GE APPLIANCES**

# INFORMACIÓN IMPORTANTE DE SEGURIDAD

## LEA TODAS LAS INSTRUCCIONES ANTES DE USAR ESTE ELECTRODOMÉSTICO

### ADVERTENCIA

Para su seguridad, siga las instrucciones de este manual a fin de minimizar riesgos de incendio, explosión, descargas eléctricas, daños en su propiedad, lesiones personales o la pérdida de la vida.

### PRECAUCIONES DE SEGURIDAD

- Este Zoneline debe ser instalado de forma apropiada de acuerdo con las Instrucciones de Instalación antes de ser usado. Consulte las Instrucciones de Instalación que figuran en el reverso de este manual.
- Desconecte el Zoneline desde la caja de fusibles o disyuntor antes de realizar cualquier reparación.

**NOTA:** Recomendamos enfáticamente que cualquier reparación sea realizada por un individuo calificado.

- Todos los acondicionadores de aire contienen refrigerantes, los cuales de acuerdo con la ley federal se deben quitar antes de deshacerse del producto. Si se deshará de un producto antiguo con refrigerantes, consulte a la compañía a cargo sobre cómo deshacerse del mismo.
- Estos sistemas de acondicionadores de aire R410A requieren que los contratistas y técnicos usen herramientas, equipos y estándares de seguridad aprobados para su uso con este refrigerante. **NO use equipamiento certificado sólo para refrigerante R22.**

**LEA Y GUARDE ESTAS INSTRUCCIONES**

# Funciones

## Desconexión de la Corriente

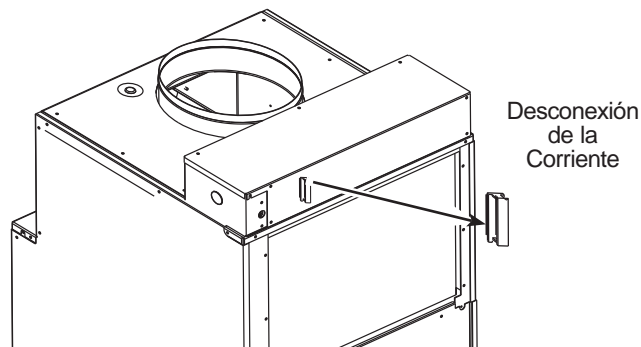
La desconexión de la corriente está ubicada en la parte frontal del Zoneline.

**NOTA:** La desconexión de la corriente no elimina la corriente del bloque terminal, ubicado debajo del panel de la caja de control.

**⚠ ADVERTENCIA Riesgo de Descarga Eléctrica**

Antes de realizar el servicio técnico, desconecte la corriente del Zoneline desde la caja de fusibles o disyuntor y retire el dispositivo de desconexión eléctrica ubicado en el frente del chasis.

Si esto no se cumple, se podrán sufrir lesiones personales o la muerte.



## Control de la Ventilación

El nivel de control de la ventilación está ubicado en el frente de la unidad del Zoneline.

Cuando la palanca se encuentre en la posición **CLOSE (Cerrado)**, sólo el aire interno de la sala circula y es filtrado.

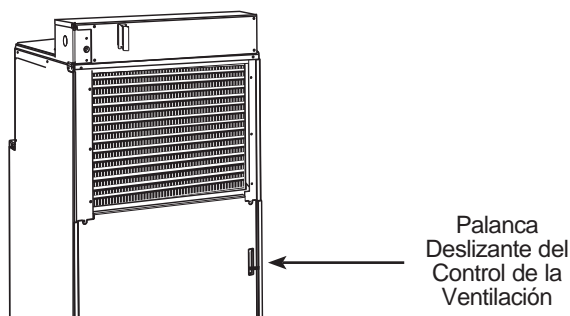
Cuando la palanca se encuentre en la posición **OPEN (Abierto)**, cierta cantidad de aire externo ingresará en la sala. Esto reducirá la eficiencia en la calefacción o refrigeración.

**Para cerrar la ventilación**, mueva la palanca deslizante hacia arriba.

**Para cerrar la ventilación**, mueva la palanca deslizante hacia abajo.

**Consejo sobre la Corriente:** Mantenga el control de ventilación en la posición **CLOSE (Cerrado)**. El aire de la sala será filtrado y circulará.

**NOTA:** Las aberturas de aire no funcionan como una fuente de aires de reposición en sistemas de ventilación de edificaciones debido a las cantidades de calefacción y refrigeración adicional generadas.



## Protección de Congelación de la Sala

Esta función monitoreará las condiciones de la sala interna y, en caso de que la temperatura de la sala sea inferior a 40°, la unidad realizará ciclos del ventilador alto con el calefactor eléctrico. Esto es realizado más allá del modo usado, siempre que la unidad reciba corriente.

## Acerca de su Bomba de Calor (en algunos modelos)

Las bombas de calor pueden reducir los costos operativos, al intercambiar calor del aire externo – incluso cuando la temperatura externa esté por debajo del punto de congelación – y liberando ese calor en la parte interna.

Para acceder al mayor beneficio económico de su bomba de calor, no modifique la configuración del termostato de la sala con frecuencia. Elevar la configuración de calor en 2 o 3 grados hará que el Zoneline use sus elementos de calefacción eléctrica, a fin de alcanzar la nueva configuración de temperatura rápidamente.

Hay un tiempo de funcionamiento mínimo del compresor de tres minutos en cualquiera de las configuraciones, para evitar los ciclos cortos.

El motor del ventilador interno es iniciado antes que el compresor y se detiene una vez que el compresor deja de realizar ciclos.

Los elementos de calefacción eléctrica utilizan una cantidad mucho mayor de electricidad que las bombas de calor, y su funcionamiento es más costoso.



# Cuidado y Limpieza

## Filtros de Aire

**AVISO: No utilice el Zonline sin el filtro en su posición. Si un filtro se desgasta o daña, deberá ser reemplazado de inmediato.**

El uso sin el filtro en su posición o con un filtro dañado permitirá que la suciedad y el polvo lleguen a la bobina interna y reduzcan el rendimiento del enfriamiento/ calefacción, el flujo de aire y la eficiencia de la unidad.

Lo más importante que puede hacer en relación al mantenimiento del Zonline es cambiar el filtro cada 30 días. Los filtros sucios reducen el rendimiento del enfriamiento/ calefacción y del flujo de aire.

**Cambiar el filtro:** reducirá el costo del funcionamiento, ahorrará energía, evitará que las bobinas de intercambio de calor queden atascadas y que se reduzca el riesgo de fallas prematuras de los componentes.

Los filtros de reemplazo deberán ser adquiridos a través de su vendedor minorista local, donde se vendan acondicionadores de aire y hornos.

El tamaño del filtro para el frente de la unidad es de 14" x 20" x 1".

El tamaño del filtro para el RAVRG2 es de 20" x 20".

El tamaño del filtro para el RAVRG3 es de 25" x 20".

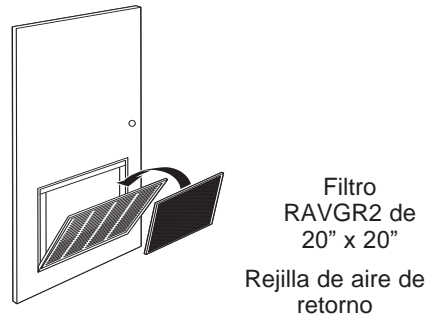
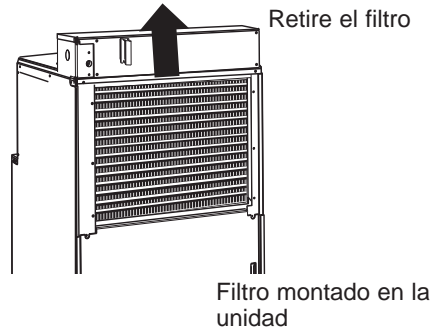
**NOTA: Use sólo un filtro en la instalación.**

**Para reemplazar el filtro (filtro de aire de retorno montado en el chasis):**

1. Deslice el filtro hacia la derecha o izquierda para despejar los suspensores del filtro o rote el suspensor del filtro superior para despejar la parte superior del filtro.
2. Retire el filtro.
3. Instale un filtro descartable nuevo.

**Para mantener un rendimiento óptimo, cambie el filtro por lo menos cada 30 días.**

Para retirar y reemplazar el filtro:



## Drenaje

**Limpie el sistema de drenaje de forma regular para evitar atascamientos.**

El drenaje de condensación deberá ser dirigido a un área de drenaje adecuada. Controle el drenaje de condensación de la unidad de forma periódica. Mantenga el mismo libre de cualquier cosa que pueda bloquearlo o que impida el flujo de agua condensada. Si hay una acumulación de material externa en la tubería de drenaje, deberá ser retirada y limpiada. Toda la tubería de drenaje deberá estar protegida contra el congelamiento.

# Cuidado y Limpieza

## Bobinas Internas/ Externas

Las bobinas Internas/ Externas del Zoneline deberán ser limpiadas y controladas regularmente.

**NOTA:** Al limpiar las bobinas, no use limpiadores de bobinas a base de ácido. Se deberá tener cuidado a fin de evitar doblar las aletas de aluminio de las bobinas.

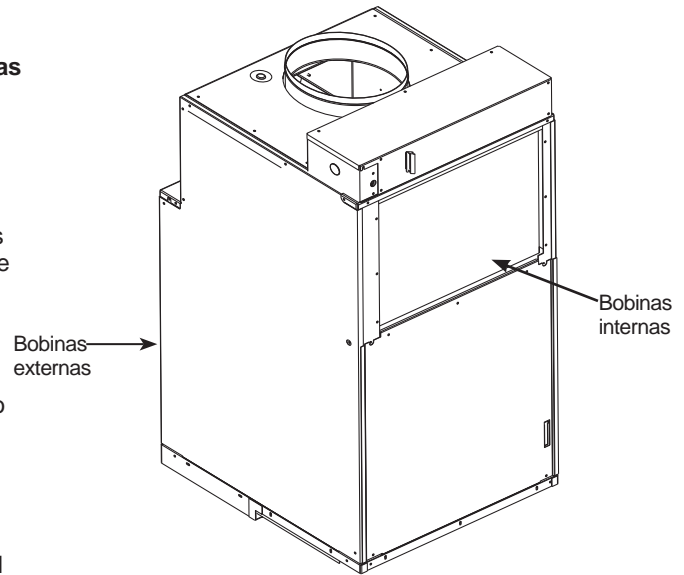
### Bobina de Aire Interno

Cantidades pequeñas de pelusa y suciedad podrán pasar a través del filtro y recolectarse en la bobina de aire interno. Estas pequeñas acumulaciones podrán ser aspiradas cuidadosamente con la adhesión de un cepillo a la aspiradora o ser limpiadas de forma profesional con vapor.

### Bobina de Aire Externo

Las vías de entrada de aire externo y de escape de aire externo de la unidad deberán permanecer despejadas. Controle el escape de aire externo de forma frecuente. Manténgalo libre de escombros, nieve o hielo. La entrada de aire externo también se deberá mantener libre de obstrucciones. El bloqueo de la salida de aire exterior o de la entrada de aire exterior reducirá la eficiencia de su unidad y podría causar un fallo prematuro del compresor.

La inspección y limpieza de las bobinas de aire externo podrán requerir que la unidad sea retirada del armario. Para acceder a instrucciones sobre cómo retirar la unidad, consulte la sección de servicio técnico de este manual.



Limpie las bobinas de forma regular.

## Bandeja de la Base

En algunas instalaciones, podrá ingresar polvo u otros escombros a la unidad desde afuera y establecerse en la bandeja de la base (la parte inferior de la unidad).

En algunas áreas de Estados Unidos, una sustancia "similar al gel" podrá estar presente en la bandeja de la base.

Controle la misma periódicamente y límpiela, de ser necesario.

# Preparación de la Instalación

¿Preguntas? Llame al 844-GE4-PTAC (o al 844-434-7822) o visite nuestro sitio web en: [GEAppliances.com](http://GEAppliances.com)

## ANTES DE COMENZAR

Lea estas instrucciones en su totalidad y atentamente.

- **IMPORTANTE** — Conserve estas instrucciones para uso del inspector local.
- **IMPORTANTE** — Cumpla con todos los códigos y ordenanzas gubernamentales.
- **Nota para el Instalador** — Asegúrese de que el Comprador conserve estas instrucciones.
- **Nota para el Comprador** — Conserve estas instrucciones para referencia futura.
- La correcta instalación del producto es responsabilidad del instalador.
- Si se producen fallas en el producto debido a una instalación inadecuada, la Garantía no cubrirá las mismas.
- Al instalar este acondicionador de aire, deberá usar todas las piezas suministradas y seguir los procedimientos de instalación adecuados, como se describe en estas instrucciones.

## SEGURIDAD ELÉCTRICA IMPORTANTE - LEA CUIDADOSAMENTE



### ADVERTENCIA

- Todas las conexiones y cableados eléctricos DEBERÁN ser realizados por un electricista calificado.
- Cumpla con el Código Eléctrico Nacional (National Electrical Code, NEC) y los códigos y ordenanzas locales.
- Para seguridad personal, este Zonline deberá estar correctamente conectado a tierra.
- Los dispositivos de protección (fusibles o disyuntores) aceptables para instalaciones de Zonline aparecen especificados en la etiqueta de clasificación de cada unidad.
- No use cables prolongadores con esta unidad.
- Los cables de aluminio para construcciones pueden presentar problemas especiales – consulte a un electricista calificado.
- Cuando la unidad no esté funcionando, aún habrá voltaje en los controles eléctricos.
- Desconecte el cable del sistema antes de hacer reparaciones, quitando los fusibles del circuito derivado o desconectando los disyuntores en el panel.

## REQUISITOS ELÉCTRICOS

Tamaño del Cable	Use SOLO el tamaño del cable recomendado para un circuito de empalmes con una sola salida.
Fusible/ Disyuntor	Use SOLO el tipo y tamaño de fusible o disyuntor HACR indicado en la etiqueta de clasificación de la unidad. La protección adecuada contra excesos de tensión hacia las unidades es responsabilidad del propietario.
Conexión a Tierra	La unidad DEBERÁ ser conectada a tierra desde un circuito de empalmes a la unidad, o a través de un cable a tierra aparte provisto en unidades con conexión permanente. Asegúrese de que el circuito de empalmes esté conectado a tierra.
Tamaño del Cable	Use el tamaño de cable recomendado en las tablas provistas e instale un circuito de empalmes simple. Todo el cableado deberá cumplir con los códigos locales y nacionales. <b>NOTA: Use conductores de cobre únicamente.</b>

**NOTA: Todo el cableado de campo deberá cumplir con los códigos locales y nacionales. Es responsabilidad del instalador asegurar que se cumplan los códigos eléctricos.**

- Use SOLO el tamaño de cable recomendado para un circuito de empalmes con una sola salida.
- La correcta protección contra la corriente es responsabilidad del instalador.

### Tamaños de cables del circuito de empalmes recomendados\*

Tamaño máximo del disyuntor en la etiqueta de clasificación	Tamaño del cable AWG**
15A	14
20A	12
30A	10

AWG – American Wire Gauge (Calibre Estadounidense de Cables)

\* Disyuntor simple desde la caja principal

\*\* Basado en 100' o menos de un conductor aislado simple con cable de cobre a 60°C. El tamaño del cable es acorde con el NEC.

**NOTA: Use conductores de cobre únicamente..**

# Preparación de la Instalación

## Datos del Flujo de Aire Interno

EL flujo de aire interno puede ser determinado a través de la medición de la presión estática externa (ESP) del sistema de conductos, usando un manómetro inclinado o un medidor magnehelic, y luego consultar el cuadro "A" para determinar el flujo de aire real. Use los multiplicadores de corrección del flujo de aire que figuran en el cuadro "B" para determinar el flujo de aire preciso, de acuerdo con las condiciones que figuran en la lista. Bajo ninguna circunstancia deberá ser usado el equipamiento del SPVU (Aire Vertical Simple) con una presión estática externa con un exceso de .30" W.C. El funcionamiento del SPVU bajo estas condiciones resultará en un flujo de aire inadecuado, conduciendo a un rendimiento bajo y/o a la falla prematura de los componentes.

### Cuadro A – CFM – Determinación del CFM Interno

	Modelos	
	AZ91H18D°C/ AZ91H18E°C	
Velocidad del Ventilador	Baja	Alta
ESP(")	CFM	
.10"	420	465
.15"	390	420
.20"	345	380
.25"	300	325
.30"	255	280

ESP = presión estática externa en una columna de agua en pulgadas

CFM Calificado en alta Velocidad:  
AZ91H18D°C/AZ91H18E°C = 465

Con termostatos de velocidad simple, realice la conexión a la terminal GL para Baja Velocidad o a la terminal GH para Alta Velocidad. Dos termostatos de control de velocidad usarán ambos terminales.

### Cuadro B- Multiplicadores de Corrección CFM Correcto – (de ser necesario)

Multiplicadores de Corrección para:	
230V	1.00
208V	0.97
Calefacción	1.00
Enfriamiento	0.95

El flujo de aire deberá ser balanceado en base a muchos factores, tales como el ESP disponible, CFM de la sala, y el conducto. Para una aplicación apropiada, consulte a un ingeniero de HVAC. La presión estática externa (ESP) puede ser medida con un manómetro o un tubo piloto. Una vez establecido este ESP, podrá calcular el CFM usando el siguiente cuadro.

Los CFM más altos tienden a incrementar la capacidad Sensible, mejorar la circulación en la sala e incrementar el ruido del conducto, mientras que los CFM más bajos tienden a incrementar la capacidad Latente y reducir el ruido.

## Conducto

El sistema de conducto suministrado deberá estar diseñado a través de un método reconocido tal como un método de fricción equivalente, o método de reducción de velocidad, usando el calculador(es) de conducto apropiado para el tipo(s) de conducto (es decir: conducto metálico, placa del conducto, o conducto flexible) usado por el sistema. El sistema del conducto deberá estar diseñado para un promedio de fricción máximo de una columna de agua de 30", teniendo en cuenta todas las uniones, registros y/o difusores. **NO utilice la unidad sin un conducto de suministro adherido.**

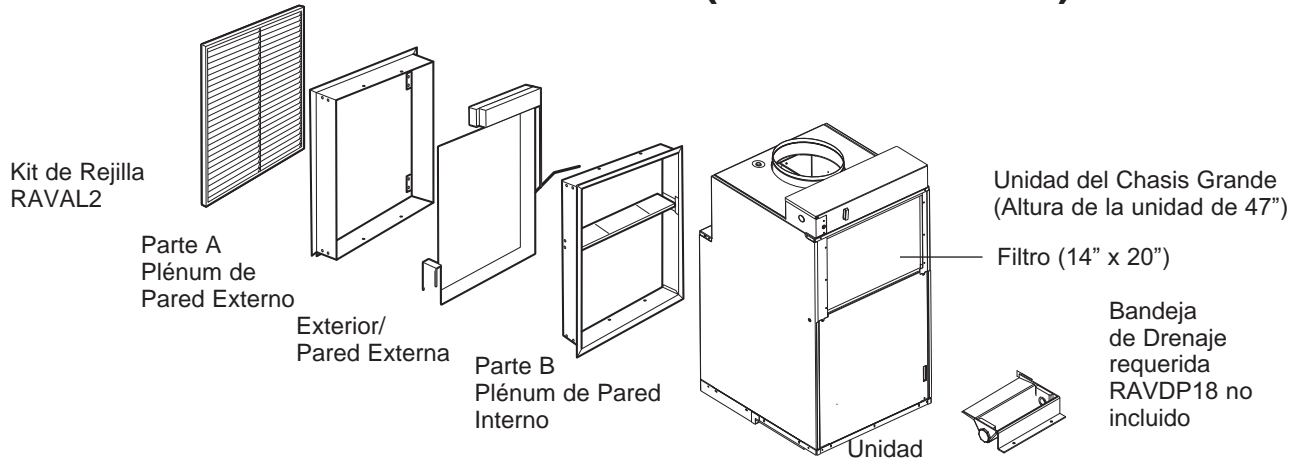
El aire de retorno a las unidades de la serie SPVU NO DEBERÁN estar conectadas por conductos, y todas las unidades DEBERÁN contar con una configuración de aire de retorno libre para funcionando apropiadamente.

El promedio de flujo total (CFM) y la presión estática externa (ESP) disponibles pueden ser estimadas a través de los cuadros que se encuentran a la izquierda. Use estos cuadros para seleccionar su configuración de velocidad del ventilador.

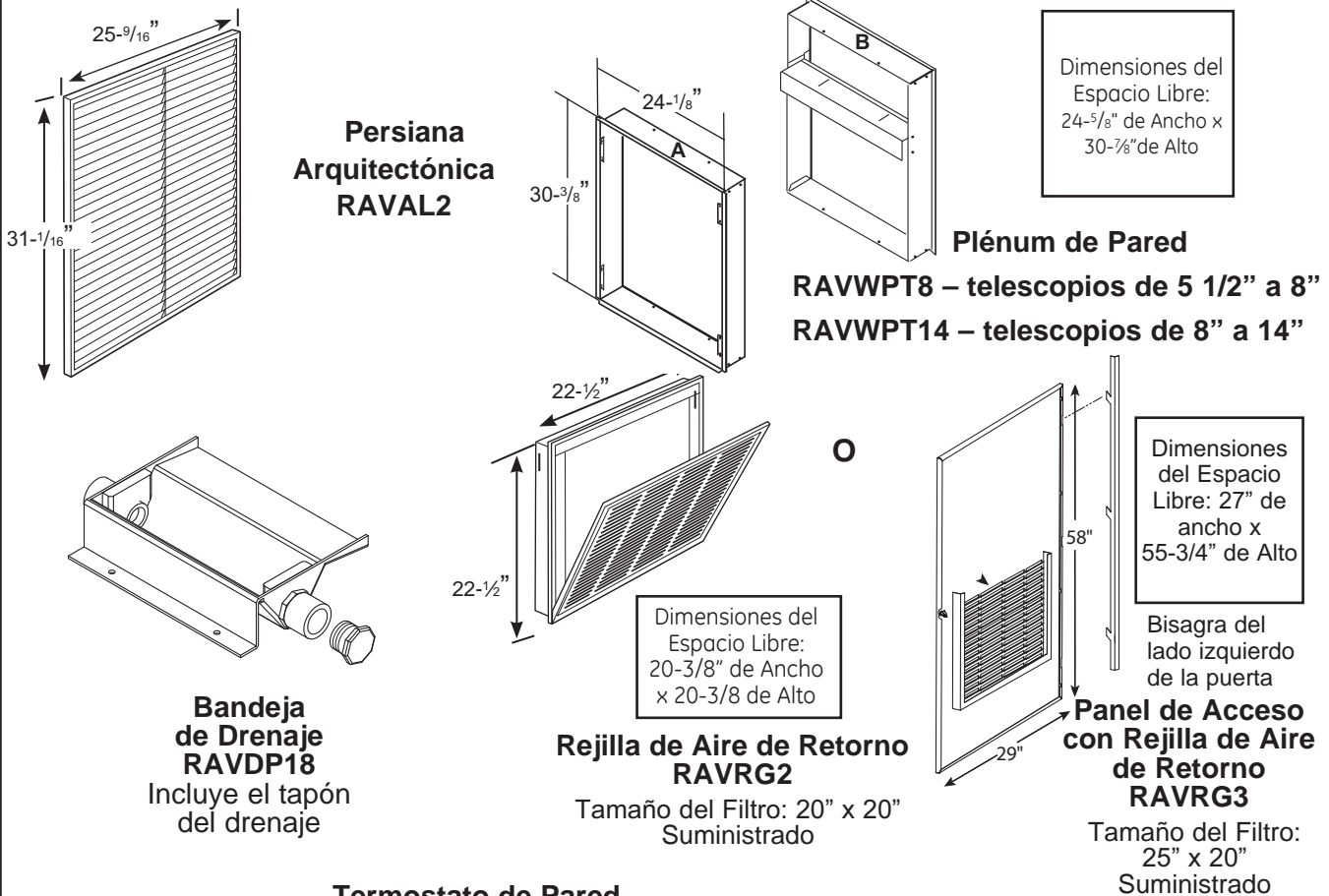
El cuello que se encuentra en la parte superior de la unidad acepta un conducto estándar de 10". Ajuste bien todos los conductos. Un aflojamiento extra del conducto puede generar un gran incremento de la presión estática.

**AVISO:** El conducto flexible puede colapsar y ocasionar restricciones en el flujo de aire. No use un conducto flexible para inclinaciones de 90° o recorridos de 5 pies o más no tolerados.

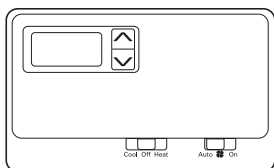
## COMPONENTES DEL ZONELINE (Chasis Grande)



## ACCESORIOS EQUERIDOS



### Termostato de Pared



Tipo de Modelo	Termostato Electrónico	Número del Kit
Modelos con Resistencia Eléctrica	5 cables	RAK164P2 y RAK164D2
Modelos con Resistencia Eléctrica	6 cables	RAK164F2
Modelos con Bomba de Calor	6 cables	RAK148P2 y RAK148D2
Modelos con Bomba de Calor	7 cables	RAK148F2

Controle las instrucciones del termostato para un cableado correcto y acceder a los requisitos de instalación..

# Información General de la Instalación

## OPCIONES DE INSTALACIÓN DE LA REJILLA CON AIRE DE RETORNO

La rejilla con aire de retorno para sala puede ser instalada hacia el frente o cualquiera de los costados de la unidad. Cualquier arreglo del aire de retorno que sea inadecuado ocasionará problemas de funcionamiento.

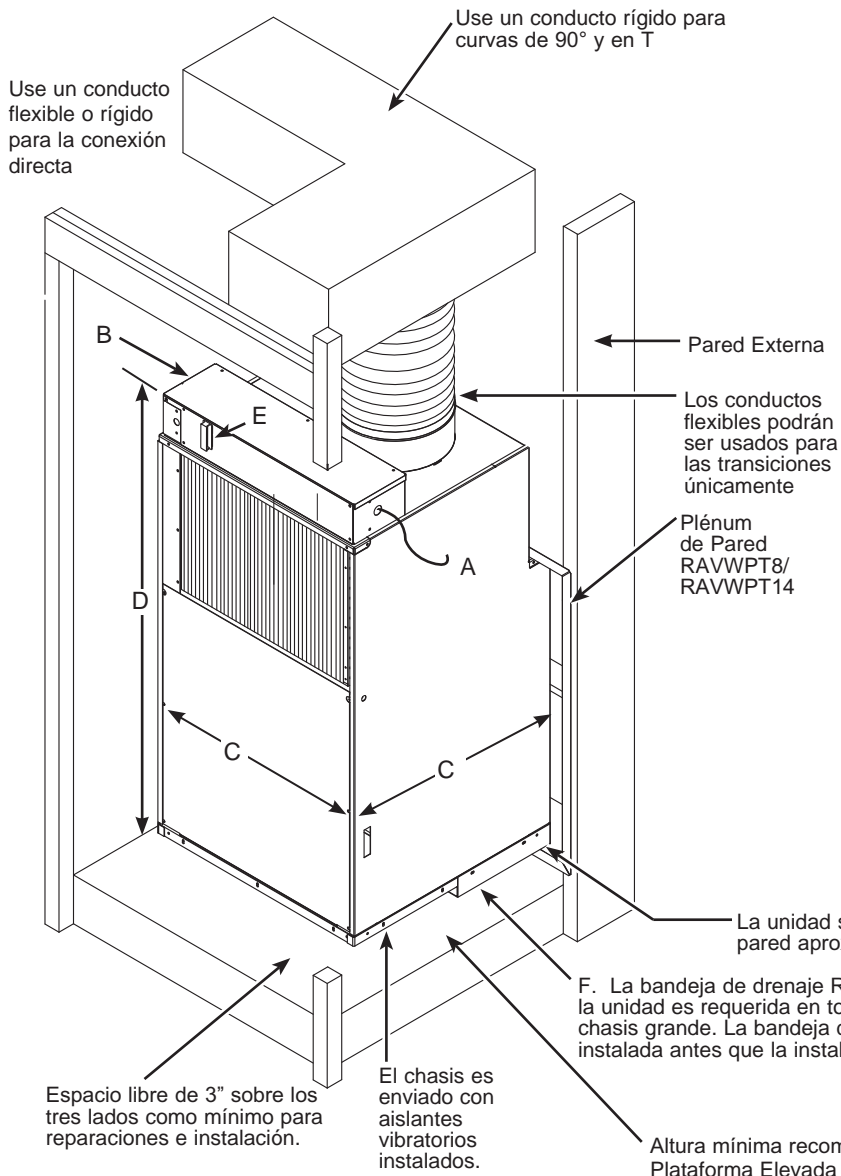
**Hay tres opciones de instalación de la rejilla de aire de retorno interna.** Elija la opción que mejor se adapte a sus requisitos de instalación. Para acceder a detalles de instalación, siga las Instrucciones de Instalación provistas con el accesorio de la rejilla de aire de retorno.

**NOTA: Use sólo un filtro en la instalación.** El filtro podrá ser instalado en la unidad o en el panel/ puerta de acceso.

## UBICACIONES DE CONEXIÓN EN ARMARIOS UTILITARIOS

**IMPORTANTE:** Planifique la ubicación del plénum, la conexión eléctrica, drenajes y del termostato de forma cuidadosa, a fin de evitar interferencias.  
**¡Las ubicaciones difíciles de alcanzar dificultarán la instalación y las reparaciones!**

### Chasis Grande



### Dimensiones de Referencia

- A Cable del termostato
- B Conducto de Corriente Entrante
- C Ancho y profundidad de la unidad: 23-1/8"
- D Altura de la unidad: 47"
- E Desconexión de la Corriente
- F Drenajes de condensación:
  - El agujero de drenaje está ubicado en la parte inferior de la unidad, a aproximadamente 3" desde la parte trasera de la unidad, y a 1" del lado izquierdo.
  - En la parte inferior de la unidad, gotea agua condensada desde el agujero de drenaje hacia la bandeja de drenaje.
  - El Kit de la Bandeja de Drenaje RAVDP18 es requerido para instalaciones con chasis grandes. El kit de drenaje deberá ser instalado en el plénum antes de que la unidad sea instalada.
  - El drenaje principal puede salir desde los lados izquierdo o derecho de la Bandeja de Drenaje RAVDP18.
  - El agua del drenaje secundario fluye hacia el plénum desde la parte trasera de la unidad.

# Información General de la Instalación

## ARMARIO UTILITARIO TÍPICO CON CHASIS GRANDE Y DIMENSIONES (SOLO COMO REFERENCIA)

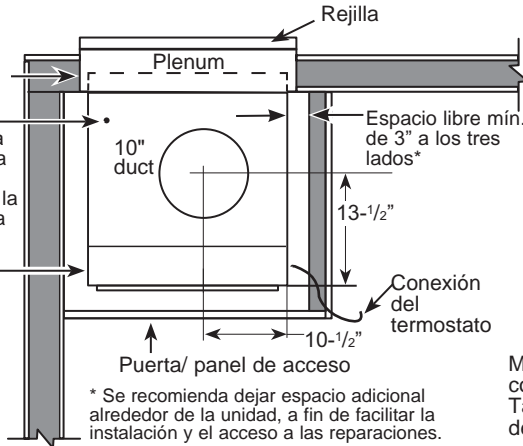
### UNIDAD INSTALADA A TRAVÉS DEL FRENTE DEL PLENUM

El plenum es ~ 1" más grande que el ancho de la unidad (~1/2" de espacio libre a cada lado)

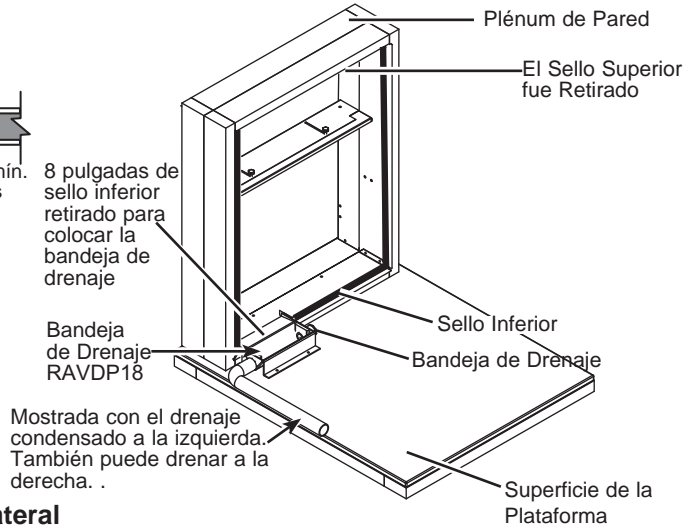
El agujero de drenaje está ubicado a 3" de la parte trasera de la unidad, y a 1" del lado izquierdo de la parte inferior de la unidad.

Conexión eléctrica

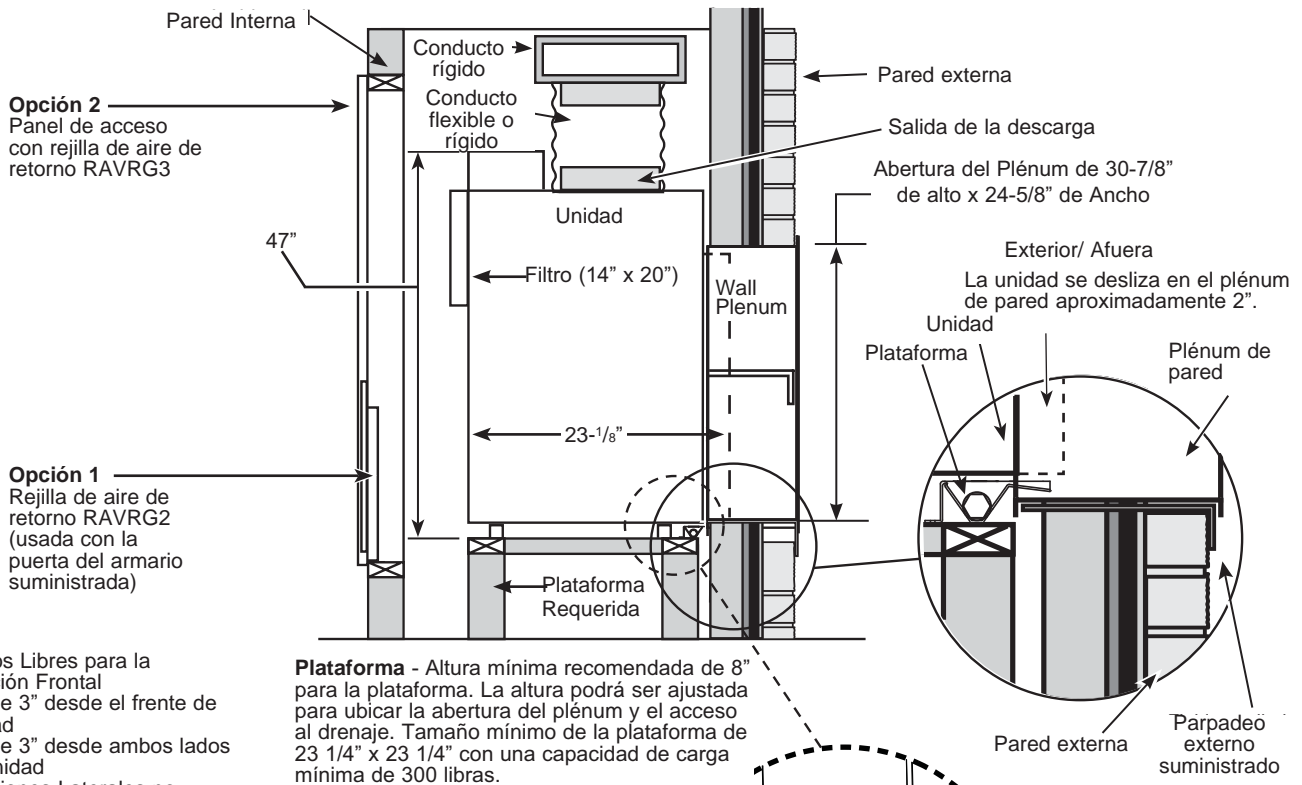
#### Vista Superior



### Ubicaciones del Drenaje



#### Vista Lateral

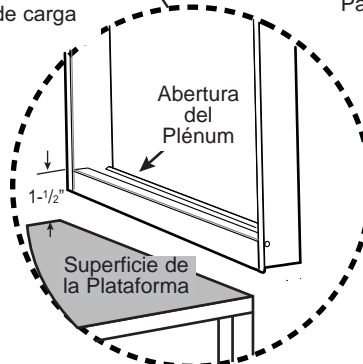


Espacios Libres para la Instalación Frontal  
- Mín. de 3" desde el frente de la unidad  
- Mín. de 3" desde ambos lados de la unidad  
Instalaciones Laterales no recomendadas

La abertura del plenum deberá ser de 3/4" sobre la superficie de la plataforma para la instalación del chasis pequeño.

### Accesorios Disponibles

- Persiana Arquitectónica – RAVAL2
- Plenum de Pared – RAVWPT8 – telescopios de 5 1/2" a 8"
- Plenum de Pared – RAVWPT14 – telescopios de 8" a 14"
- Rejilla de Aire de Retorno - RAVRG2
- Panel de Acceso con Rejilla de Aire de Retorno RAVRG3
- Termostato de Pared (Digital y Programable)



# Instrucciones de Instalación

## SECUENCIA DE LA INSTALACIÓN

1. Planifique la ubicación apropiada del suministro eléctrico, los drenajes y el conducto.
2. Instale el plénium de pared.
3. Instale la rejilla.
4. Arme e instale la plataforma.
5. Instale la bandeja de drenaje.
6. Coloque la unidad en la plataforma y deslice el lado externo de la unidad por el plénium, hasta que quede completamente apoyado.
7. Conecte la unidad al conducto.
8. Conecte el termostato.
9. Conecte la corriente eléctrica.
10. Instale la rejilla de retorno de aire o la tapa de acceso.
11. Revise la lista de control de la instalación.
12. Controle el funcionamiento de la unidad.

## INSTRUCCIONES DE INSTALACIÓN

### Instale el Plénium de Pared

Instale el plénium de pared. Consulte las instrucciones incluidas en el kit del plénium de pared RAVWP8 o RAVWPT14, para acceder a los procedimientos adecuados de instalación.

### Instale la Rejilla.

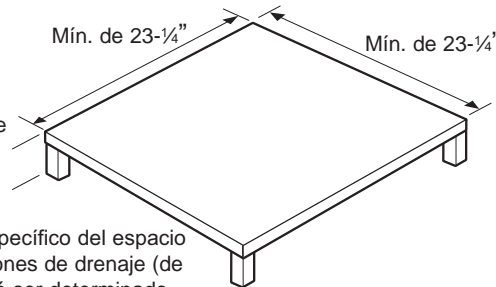
Instale la rejilla. Para acceder a los procedimientos de instalación adecuados, consulte las instrucciones incluidas en el kit de la rejilla RAVAL2.

### Arme e Instale la Plataforma de la Base del Zoneline

1. Construya una plataforma cuadrada de un mín. de 23 ¼" x 23 ¼", con patas para elevar la plataforma.  
NOTA: La plataforma deberá poseer una capacidad mínima de resistencia a la carga de 300 libras.

#### Altura de la plataforma recomendada:

mín. de 8" para el acceso al drenaje. La superficie de la plataforma deberá ser de ¾" debajo de la abertura del plénium de pared. Para más detalles, consulte las Instrucciones de Instalación del Plénium.



NOTA: El tamaño específico del espacio libre para las conexiones de drenaje (de ser requerida) deberá ser determinado por el instalador, de acuerdo con la situación de instalación específica.

NOTA: Para unidades con chasis grande, se requiere el Kit de Drenaje RAVDP18 para drenar agua condensada al sistema de DWV de la edificación.

2. Las conexiones del drenaje podrán ser realizadas sobre la parte derecha, izquierda o trasera de la unidad. Las dimensiones de la unidad son 23 1/8" x 23 1/8". Si la plataforma es más grande que la unidad, es posible que los agujeros de drenaje deban ser cortados a través de la plataforma. Los espacios libres/ conexiones del drenaje deberán ser determinados por el instalador, de acuerdo con la situación de instalación específica.
3. Coloque la plataforma en el armario utilitario con el siguiente espacio libre entre ésta y la superficie interna de las paredes/ puerta/ panel.
  - Mín. de 3" desde el frente de la unidad – La unidad deberá ser instalada a través del FRENTE DEL gabinete.
  - Mín. de 3" desde ambos lados de la unidad
4. Alinee la plataforma con la abertura del plénium de pared, y asegure la misma al piso usando los soportes y tornillos adecuados.

### Sistema de Eliminación de Condensados

El Sistema de Eliminación de Condensados incrementa la eficiencia energética, utilizando un ventilador instalado de fábrica que arroja el material condensado a la bobina caliente externa.

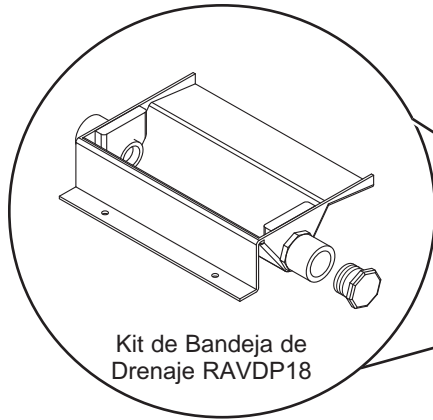
Cuando la alta humedad externa impide que se arroje todo el material condensado, el exceso de condensados se desborda sobre la bandeja de drenaje de condensados y afuera de las conexiones del drenaje interno de ¾".

**NOTA: Si el Sistema de Eliminación de Condensados no elimina todos los condensados de la unidad, cualquier exceso se desbordará del desagüe en la parte trasera de la unidad, directamente en el plénium de pared, y será drenado fuera de la edificación. Esto es un indicador de que el chasis o el drenaje requieren del servicio técnico.**

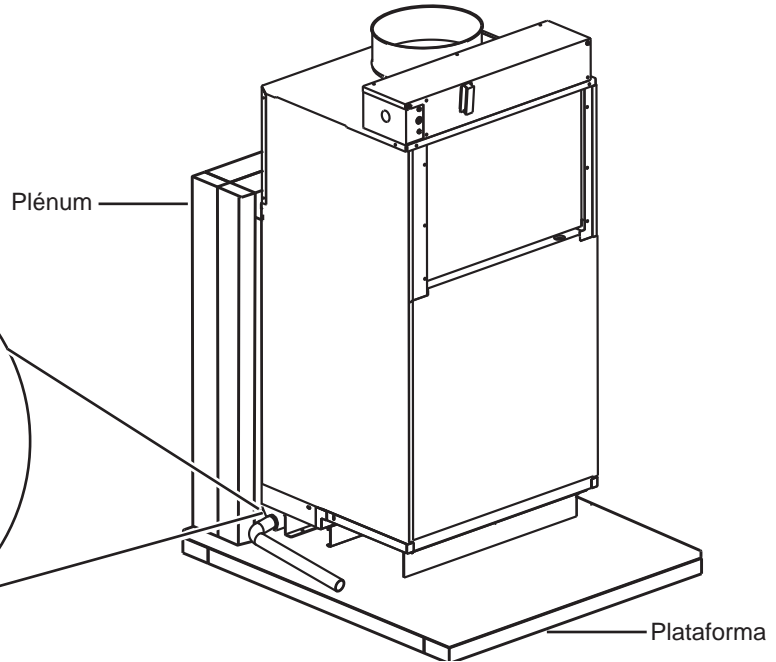


## Instale la Bandeja de Drenaje

**NOTA:** La BANDEJA DE DRENAJE ACCESORIA (RAVDP18) DEBERÁ SER INSTALADA ANTES DE INSTALAR LA UNIDAD. El kit sólo es usado en las unidades de 18,000 con una altura de chasis de 47 pulgadas.



Kit de Bandeja de Drenaje RAVDP18

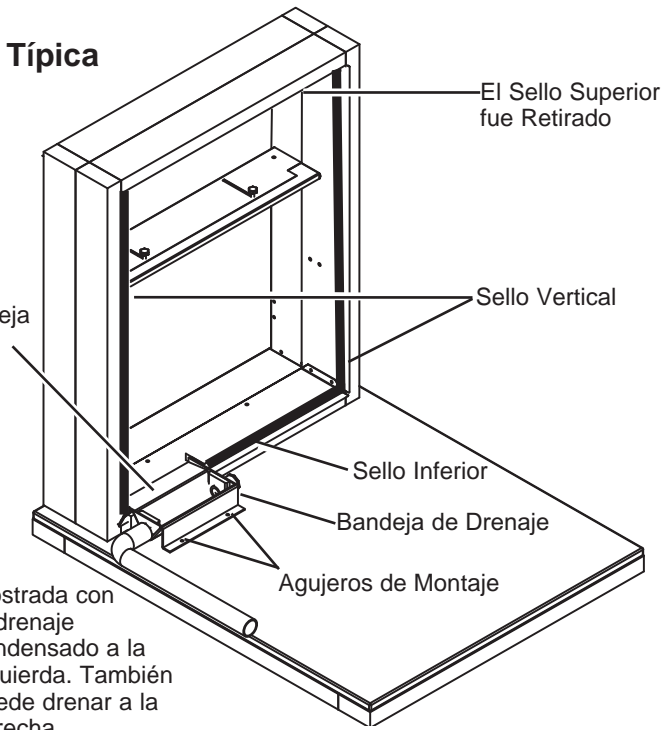


1. Instale la bandeja de drenaje. Para acceder a los procedimientos de instalación adecuados, consulte las instrucciones incluidas en el kit de la bandeja de drenaje RAVDP18.
2. Coloque la unidad en la plataforma y deslice el lado externo de la unidad por el plenum, hasta que quede completamente apoyado.

Un drenaje externo o interno deberá ser adherido a una de las condiciones del drenaje principal, ubicado del lado derecho o izquierdo de la bandeja de drenaje. El desagüe del drenaje ubicado en la parte trasera de la unidad es el drenaje secundario, en caso de ser requerido por los códigos estatales y locales. Se podrá requerir una bandeja de condensación secundaria suministrada. Para una correcta instalación del drenaje, consulte los códigos locales.

### Instalación Típica

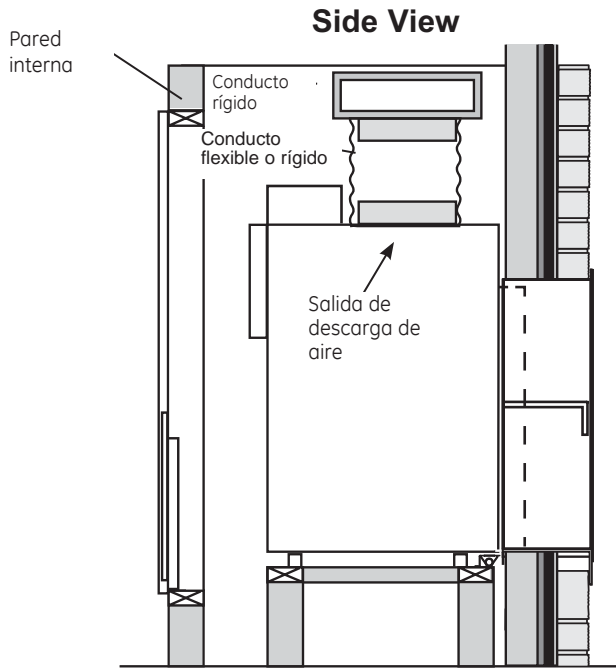
8 pulgadas de sello inferior retirado para colocar la bandeja de drenaje



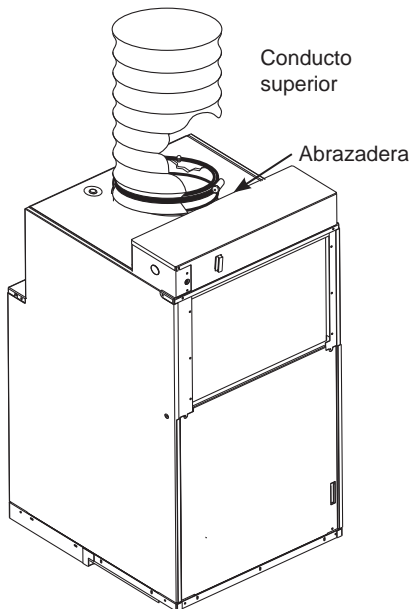
# Instrucciones de Instalación

## Conexión del Conducto Superior

1. Instale el conducto en la salida de descarga de aire.



2. Use una abrazadera suministrada para asegurar el conducto superior a la salida de descarga de aire.



## Termostato Remoto

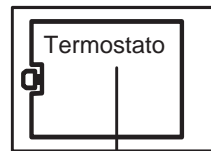
### ⚠️ ADVERTENCIA Riesgo de Descarga Eléctrica

Antes de realizar el servicio técnico, desconecte la corriente del Zoneline desde la caja de fusibles o disyuntor y retire el dispositivo de desconexión eléctrica ubicado en el frente del chasis.

Si esto no se cumple, se podrán sufrir lesiones personales o la muerte.

Todas las unidades de SPVU son configuradas en fábrica para ser controladas usando un termostato remoto único de montaje en pared para calor/ frío. El termostato podrá ser de cambio automático o manual, siempre que la configuración del control coincida con aquél de la unidad de SPVU.

**NOTA:** Consulte las secciones de Termostato Remoto y Conexión del Control de Bajo Voltaje de este manual y el manual con el termostato aparte, a fin de realizar conexiones y configuraciones adecuadas..



Conexiones de la Unidad

### Cableado Máximo Longitud del Termostato Conexión a la Unidad

66 pies para AWG 18  
 60 pies para AWG 20  
 40 pies para AWG 24  
 AWG - American Wire Gauge  
 (Calibre Estadounidense de Cables)

### IMPORTANTE:

Las conexiones del termostato Zoneline brindan 24 V AC únicamente.

Si usará un termostato de pared digital/ electrónico, deberá usar el mismo en la configuración de 24 V AC. Para acceder al termostato de pared, consulte las Instrucciones de Instalación.

### AVISO:

Se podrán producir daños sobre un termostato de pared o sobre la parte electrónica del Zoneline como resultado de conexiones inadecuadas. Preste atención adicional al conectar los cables negros y azules. No se deberá realizar ninguna conexión de voltaje de línea a ningún circuito del termostato. Aísle todos los cables del edificio desde el voltaje de la línea.

## TERMOSTATO REMOTO Y CONEXIONES DEL CONTROL PARA BAJO VOLTAJE

### Para conectar el termostato con montaje de pared

Las conexiones terminales están ubicadas debajo del panel de la caja de control.

1. Tire de la desconexión de la corriente ubicada en el frente del chasis.
2. Desconecte la corriente que ingresa a la unidad desde el panel del disyuntor principal o de la desconexión montada en el armario.
3. Retire el panel de la caja de control, retirando los 4 tornillos frontales y los 3 tornillos superiores que aseguran el panel.
4. Pase los cables del termostato a través del agujero pequeño en la parte superior de la caja, a fin de alcanzar las conexiones terminales del lado derecho del control.
5. Realice las conexiones de los cables de acuerdo con las instrucciones incluidas con el termostato.
6. Una vez que el cable es emparejado y conectado, la unidad está ya lista para su funcionamiento.
7. Vuelva a colocar el panel de la caja de control.

### Requisitos de los terminales del termostato

Para enfriar con unidades eléctricas de calor: C, R, GL, Y, W.

Para unidades con bomba de calor: C, R, GL, Y, W, B.

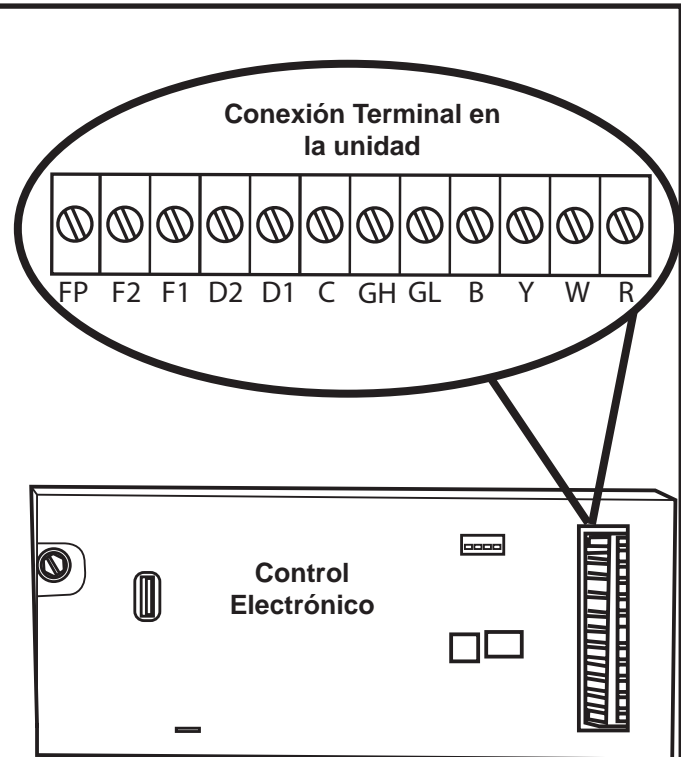
Para dos velocidades de ventilador, éste deberá contar con la selección de 2 velocidades.

### Unidades con Bomba de Calor Durante el Modo de Calefacción:

El terminal B deberá ser alimentado de forma continua. El terminal W deberá contar con una salida de 24 VAC para dar calor. El tablero de control decidirá si se encenderá la Bomba de Calor (compresor) o el modo de Calor Eléctrico. El terminal Y no deberá tener la salida de 24 VAC durante el modo Electric Heat (Calor Eléctrico).

### MISE EN GARDE

Un cableado CDC inadecuado podrá hacer que la parte electrónica del Zoneline sea dañada u ocasionar un funcionamiento errático del mismo. No se permite un recorrido común. Un par de cables separados deberán ser dirigidos desde cada interruptor de control separado a cada Zoneline individual.



Definición de la Interface	
Código de la Terminal	Función de la Conexión de Cables
FP	Sólo para uso de fábrica. (Asegure que no haya un puente en FP y F2)
F2	Usado con F1 para brindar 24 VAC al relé del ventilador externo. (Asegure que no haya un puente en FP y F2)
F1	Usado con F2 para brindar 24 VAC al relé del ventilador externo.
D2	Usado con D1 para el funcionamiento del control de escritorio encendido o apagado
D1	Usado con D2 para el funcionamiento del control de escritorio encendido o apagado
C	Terminal a Tierra Común
GH	Describe el Ventilador Alto
GL	Describe el Ventilador Bajo
B	Describe la Válvula de Inversión de la Bomba de Calor
Y	Describe el Compresor
W	Describe la Calefacción
R	Control Electrónico desde la Corriente de 24V al Termostato de Pared

# Instrucciones de Instalación

## TERMOSTATO REMOTO Y CONEXIONES DEL CONTROL PARA BAJO VOLTAJE

### Terminales del Control de Escritorio

El SPVU cuenta con provisiones incorporadas para la conexión de un interruptor externo, a fin de controlar la corriente que llega a la unidad. El interruptor puede ser un sistema de control de escritorio central o incluso un interruptor de puerta de apertura normal.

Para el funcionamiento del control de escritorio, conecte un lado del interruptor a la terminal D1 y el otro a la terminal D2. Cuando se apague el interruptor, el funcionamiento de la unidad se detendrá.

NOTA: El sistema de control de escritorio y los interruptores deberán ser suministrados.

### Longitud Máxima del Cable para el Interruptor del Control de Escritorio

Tamaño del Cable	Longitud Máxima
#24	400 pies
#22	600 pies
#20	900 pies
#18	1500 pies
#16	2000 pies

### Control del Ventilador Auxiliar

El Smart Center (Centro Inteligente) posee la habilidad de controlar un relé de 24 VAC para activar un ventilador auxiliar o de transferencia. Las salidas figuran como F1 y F2 en el tablero de control.

Para conectar el relé, simplemente conecte con un cable un lado del relé a F1 y el otro lado a F2. En cualquier momento que el ventilador funcione, las terminales enviarán una señal de 24 VAC al relé. El relé deberá ser de 24 VAC, 100mA o menos.

**NOTA:** El relé y los ventiladores auxiliares deberán ser suministrados.

**NOTA:** Es responsabilidad del instalador asegurar que todas las conexiones de control con cable sean realizadas de acuerdo con las instrucciones de instalación. Una conexión inapropiada del cableado del control del termostato y/o alteración del cableado interno de la unidad podrán anular la garantía del equipamiento y resultar en daños sobre la propiedad, lesiones personales o la muerte.

### Panel/ Rejilla de Retorno de Aire

Instale la rejilla de retorno de aire o la tapa de acceso. Consulte las instrucciones incluidas con el kit elegido.

## CONEXIONES ELÉCTRICAS

### 1. RETIRE EL PANEL DE LA CAJA DE CONTROL

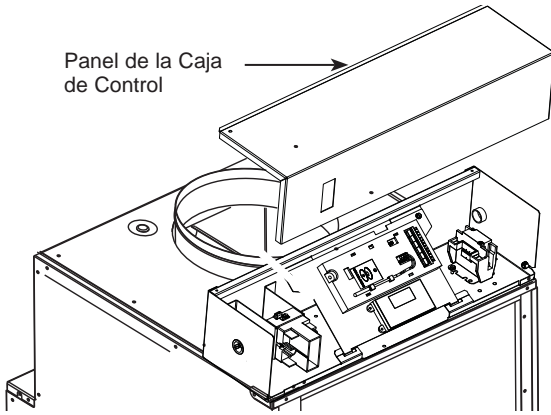
#### **⚠ ADVERTENCIA** Riesgo de Descarga Eléctrica

Antes de realizar el servicio técnico, desconecte la corriente del Zoneline desde la caja de fusibles o disyuntor y retire el dispositivo de desconexión eléctrica ubicado en el frente del chasis.

Si esto no se cumple, se podrán sufrir lesiones personales o la muerte.

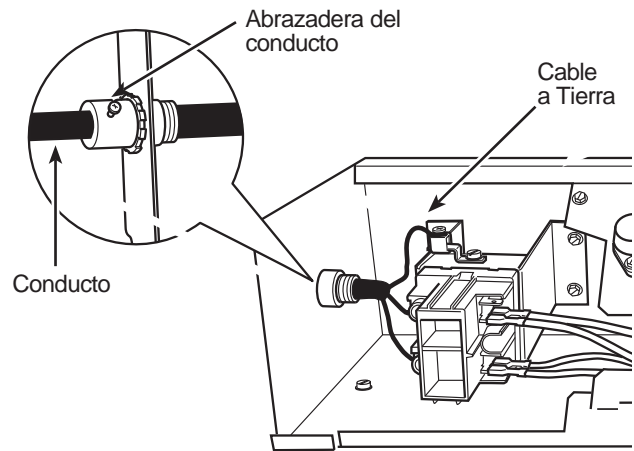
Retire el panel de la caja de control, retirando los 2 tornillos en la parte superior del panel.

Panel de la Caja de Control



### 2. ADHIERA EL CONDUCTO

Use el agujero ciego redondo en la parte izquierda de la caja de control para instalar el conducto que ingresa desde el circuito de empalmes. Instale y sujete con abrazaderas el conducto a través de la abrazadera del conducto, y conecte los cables en la caja de empalmes. Deje 8" de cable libre desde el extremo del conducto.



### 3. REALICE LAS CONEXIONES DE LOS CABLES DENTRO DE LA CAJA DE CONTROL

#### **⚠ ADVERTENCIA**

#### **RIESGO DE DESCARGA ELÉCTRICA**

Puede ocasionar lesiones o la muerte. Este electrodoméstico deberá estar conectado a tierra de forma adecuada.

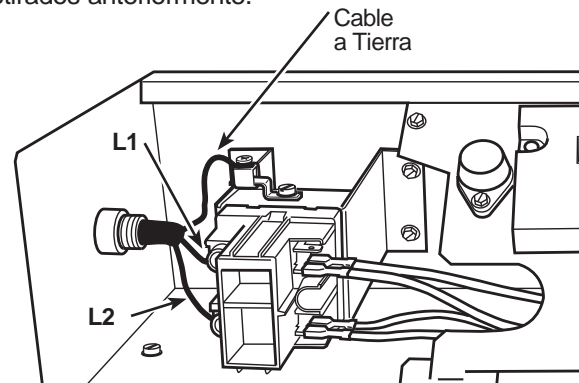
**APAGUE** la corriente eléctrica antes de realizar reparaciones o instalaciones.

Tire de la desconexión de la corriente ubicada en el frente del chasis. Desconecte la corriente que ingresa la unidad desde el panel del disyuntor principal o de la desconexión montada en el armario.

#### **NOTA:**

- Todas las conexiones eléctricas y cableados deberán ser instalados por un electricista calificado y en cumplimiento con el Código Nacional de Electricidad (National Electric Code, NEC) y todos los códigos locales que posean jurisdicción.
- Todos los chasis deberán contar con conexión directa con disyuntores de tamaño adecuado. Use disyuntores tipo HACR para evitar desconexiones fastidiosas.
- La unidad deberá estar conectada a tierra de forma adecuada.

1. Realice todas las conexiones de cables usando los conectores eléctricos y técnicas apropiadas que figuran en la lista de UL.
2. Asegúrese de que todos los cables estén dentro de la caja de control y que no sean pellizcados entre el panel y la unidad. El cable a tierra aislado verde desde el Zoneline DEBERÁ ESTAR conectado al cable a tierra del circuito de empalmes.
3. Reemplace el panel de la caja de control y asegure el mismo a la unidad reemplazando los 2 tornillos retirados anteriormente.



# Instrucciones de Instalación

## CONEXIONES ELÉCTRICAS (CONTINÚA)

### CONEXIÓN DIRECTA

Voltaje del Calefactor en 265 voltios	Dispositivo de Protección del Circuito
2.50/2.05 KW 3.40/2.78 KW 5.00/4.09 KW	Fusible de Retraso de o Disyuntor de 15 Amperes Fusible de Retraso de o Disyuntor de 20 Amperes Fusible de Retraso de o Disyuntor de 30 Amperes
Voltaje del Calefactor en 265 voltios	Dispositivo de Protección del Circuito
2.50 KW 3.40 KW 5.00 KW	Fusible de Retraso de o Disyuntor de 15 Amperes Fusible de Retraso de o Disyuntor de 20 Amperes Fusible de Retraso de o Disyuntor de 30 Amperes

\* See NEC for application for 265 Volts.

## INSTALACIÓN FINAL

### LISTA DE CONTROL DE LA INSTALACIÓN FINAL

- Asegúrese de que todas las instrucciones de instalación relacionadas con espacios libres alrededor de la unidad hayan sido cumplidas.
- Inspeccione y asegure que todos los componentes y accesorios hayan sido instalados de forma apropiada y que no hayan sido dañados durante el proceso de instalación.
- El plénium de pared parpadeante fue instalado, nivelado y sellado.
- La unidad está nivelada, de adelante hacia atrás y de izquierda a derecha.
- Asegúrese de que el filtro de aire de la unidad, la bobina interna, y la bobina externa estén libres de cualquier obstrucción.
- Asegúrese de que solo un filtro de aire sea instalado en el sistema.
- Controle el drenaje(s) de agua condensada a fin de asegurar que esté conectado de forma adecuada para la eliminación de agua condensada, y que cumpla con la aprobación del usuario final.
- El conducto está conectado de forma segura a la salida de descarga de aire.
- Asegure todos los paneles de acceso (es decir: tapa frontal y/o caja de control).
- El termostato de pared fue cableado de forma correcta.
- La unidad fue cableada correctamente.
- Asegúrese de que se haya realizado una corrección en el tamaño de los cables del disyuntor(s)/ fusible(s) y del circuito de suministro.
- Asegúrese de que la unidad esté recibiendo el voltaje correcto, que esté en un circuito simple y que esté correctamente conectada a tierra.
- Asegúrese de que toda la instalación cumpla con todos los códigos y ordenanzas nacionales y locales aplicables que posean jurisdicción.

### CONECTE LA CORRIENTE

1. Si todos los items de la lista de control son correctos, reinstale la desconexión de corriente del frente de la unidad.
2. Active la corriente desde el panel de servicio principal.
3. Encienda y ajuste el termostato, de modo que la unidad comience a funcionar..
4. Controle el funcionamiento adecuado en cada modo. Dé instrucciones al dueño o propietario en relación al funcionamiento de la unidad, y sobre el programa de mantenimiento de rutina recomendado..

**NOTA:** Se recomienda mantener un registro de fechas de mantenimiento y/o reparaciones, y esto deberá ser sugerido al dueño u operador del equipo.

### SERVICIO TÉCNICO

#### ADVERTENCIA

**Existe riesgo de descargas eléctricas que pueden ocasionar lesiones o la muerte** Antes de comenzar con la reparación, apague el interruptor del panel del servicio y bloquee el área a fin de evitar que la corriente se active de forma accidental. Cuando el área no pueda ser bloqueada, ajuste de forma segura un dispositivo de advertencia, tal como una etiqueta, al panel del servicio.

**NOTA:** Recomendamos enfáticamente que cualquier reparación sea realizada por un individuo calificado.

#### Para retirar la unidad del armario.

1. Apague el termostato de pared.
2. Tire de la desconexión de la corriente ubicada en el frente del chasis.
3. Desconecte la corriente que ingresa a la unidad desde el panel del disyuntor principal o de la desconexión, montada en el armario.
4. Desconecte la conexión eléctrica de la unidad.
5. Desconecte el sistema de drenaje.
6. Desconecte el conducto.
7. Deslice el chasis hacia afuera del plénium de pared.
8. Levante el chasis y retire el mismo del armario utilitario.

## Sonidos de Funcionamiento Normal

**¡Ping! ¡Pop!**



Es posible que escuche un sonido de ¡ping! ocasionado por el agua recogida y arrojada contra el condensador en días lluviosos o cuando el nivel de humedad sea alto. Esta función ayuda a eliminar la humedad y mejorar el nivel de eficiencia.

**“CLICK”**

Es posible que escuche sonidos de clic del relé cuando se realice el ciclo de encendido y apagado de los controles o cuando sean ajustados para cambiar la temperatura del ambiente.

**GOTEO**



Se acumulará agua en la bandeja de la base cuando el nivel de humedad sea alto o en días lluviosos. Es posible que el agua se desborde y gotee desde el lado externo de la unidad.

**WHIR!**



El ventilador interno funciona de forma continua cuando la unidad está operando el modo para refrescar, a menos que el Control Auxiliar del Smart Fan (Ventilador Inteligente) esté configurado en la función de ciclos. Esto hará que el ventilador se encienda y apague con el compresor. También podrá escuchar el ruido de detención o inicio de un ventilador.

Hay momentos en que el ventilador de la unidad funcionará de forma pareja cuando la unidad no esté calentando ni refrescando. Si el sistema es configurado para funcionar con ventilador continuo, el ventilador interno funcionará sin importar que la unidad esté refrescando o calefaccionando. Otras veces, el ventilador funcionará por más tiempo que el ciclo de calefacción/ refrigeración o se iniciará ocasionalmente. Esto es normal y es realizado para mejorar el confort y balance del ambiente.

Si la unidad está equipada con un sistema de ventilación de aire de reposición, los ventiladores funcionarán de manera continua.

**Retraso de 3 Minutos**



Es posible que note algunos minutos de retraso en el inicio, si intenta reiniciar el Zonline demasiado pronto luego de apagarlo o si ajusta el termostato junto después de apagar el compresor. Esto se debe a que un protector de reinicio incorporado para el compresor genera un retraso de 3 minutos.

**SILENCIO**

Durante el ciclo de descongelación, tanto el ventilador interno como el externo se detendrán y el compresor funcionará en el modo de refrigeración para eliminar escarcha de la bobina externa. Luego de la descongelación, la unidad se reiniciará en el modo de calefacción eléctrica para calentar de forma rápida la habitación en el nivel de confort deseado.

**PROTECCIÓN DEL COMPRESOR**

Para proteger el compresor y evitar ciclos cortos, la unidad fue diseñada para funcionar durante un mínimo de 3 minutos luego de que el compresor se inicie en cualquier configuración del termostato.

## Consejos para la Solución de Problemas... Antes de solicitar el servicio técnico

¡Ahorre tiempo y dinero! Primero revise los cuadros que aparecen en las siguientes páginas y es posible que no necesite solicitar reparaciones.

Problema	Causa Posible	Qué Hacer
El Zoneline no se inicia.	Se quemó el fusible/ el disyuntor está activado	Controle la caja de fusibles/ disyuntor de su hogar y reemplace el fusible o reinicie el disyuntor.
	La unidad está esperando a que el protector de sobrecarga del compresor se reinicie.	Esto es normal. El Zoneline se volverá a activar luego de ser reiniciado.
	Corte de corriente.	Hay un retraso de tiempo por protección (de hasta 3 minutos) a fin de evitar la sobrecarga del compresor. Por esta razón, es posible que la unidad no comience con el calentamiento o enfriamiento normal por 3 minutos luego de haber sido conectada nuevamente.
El Zoneline no enfría o calienta como debería.	El flujo de aire interno está obstruido.	Make sure there are not curtains, blinds or furniture blocking the front of the Zoneline.
	El flujo de aire externo está restringido o es recirculado.	Asegúrese de que la persiana arquitectónica no esté restringida. Esto podrá hacer que la unidad deje de realizar su ciclo debido al protector de sobrecarga del compresor.  La rejilla externa deberá tener libre como mínimo el 65% de su área. Las rejillas de los electrodomésticos que no sean de GE podrán ser demasiado restrictivos para un funcionamiento adecuado. Para solicitar ayuda, consulte a su vendedor.
	El filtro de aire está sucio.	Cambie el filtro por lo menos cada 30 días. Consulte la sección de Cuidado y Limpieza – Filtros de Aire
	Es posible que la sala haya estado caliente o fría.	Cuando el Zoneline se encienda por primera vez, deberá dejar transcurrir un período de tiempo hasta que el ambiente se enfríe o caliente.
	Está ingresando aire externo en la sala.	Configure el control de ventilación en la posición cerrada.
Olor a quemado en el comienzo de la función de calefacción.	Polvo sobre la superficie de los elementos de calefacción.	Esto puede ocasionar olor a “quemado” en el comienzo de la función de calefacción. Esto se debería disipar rápidamente.
El aire no está siempre frío o caliente durante el funcionamiento.	La bomba de calor no está produciendo aire caliente.	Esto puede generar un olor a “quemado” al comenzar a funcionar el calentamiento. Esto debería desaparecer rápidamente.
	El interruptor del ventilador podrá ser configurado en ventilador continuo.	Esto es normal. La bomba de calor producirá calor caliente, pero no tan caliente como el aire producido cuando es usado el calentador eléctrico de mayor costo.
El aire no se siente lo suficientemente caliente durante el funcionamiento de la calefacción.	La bomba de calor sola produce aire que se siente más frío que lo deseado.	Use la Opción Electric Heat (Calor Eléctrico). Esto apaga la bomba de calor y calienta sólo con calor eléctrico. NOTA: El uso de esta opción resultará en un incremento en el consumo de energía.



## Modo de Diagnóstico y Prueba de Código de Error del Control Electrónico

### Diagnóstico de Código de Error

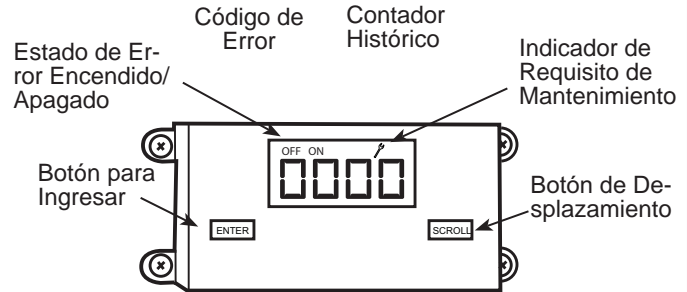
El control electrónico del SPVU monitorea de forma continua el funcionamiento de la unidad y guardará códigos de error si ciertas condiciones son observadas. En algunos casos, la unidad podrá tomar acción y apagarla hasta que las condiciones sean corregidas.

Para acceder al menú de código de error, presione el botón "ENTER" (Ingresar). Si hay códigos de error presentes, serán mostrados. Si aparecen múltiples códigos de error, puede pasar entre los códigos de error usando el botón "SCROLL" (Desplazamiento). Para despejar todos los códigos, presione los botones "ENTER" (Ingresar) y "SCROLL" (Desplazamiento) durante tres segundos, mientras se encuentra en el modo de código de error.

## Estado de Códigos de Error y Alarma

### Panel de Control de la Unidad

La pantalla mostrada a continuación posee cuatro dígitos. Los dos dígitos sobre la izquierda indican el código de error (1 a 24), los iconos On/Off (Encender/ Apagar) sobre estos dos dígitos indican el estado actual del código de error. Los dos dígitos sobre la derecha muestran la cuenta histórica (hasta 99) del código de error asociado. La pantalla cuenta con un ícono de mantenimiento (llave) que se iluminará para indicar cuándo la unidad necesita mantenimiento.



### Control de Códigos de Error:

1. Presione la tecla ENTER (Ingresar) para activar la pantalla.
2. Cada vez que se presiona la tecla de desplazamiento, la pantalla muestra el siguiente código de error.

### Borrar los Contadores Históricos:

1. Mantenga presionada la tecla ENTER (Ingresar) y la tecla SCROLL KEY (Tecla de Desplazamiento) durante unos 6 segundos.

Código de Error	Problema	Acción
1	Botón del panel frontal atascado durante más de 20 segundos.	Continúe monitoreando el interruptor (desobstruido) de "OPEN" (Abierto). No procese la entrada del interruptor.
2	Voltaje de entrada fuera de la especificación (103-127/187-253)	La unidad se detiene, abra los relés hasta que el voltaje vuelva a estar dentro de las especificaciones y luego reinicie el funcionamiento.
3	El sensor de temperatura interna está abierto o en cortocircuito.	La unidad está por omisión en 75°F en COOLING (Enfriamiento) o en 68°F en HEATING (Calefacción) y continuará funcionando.
4	El sensor de temperatura de la bobina interna está abierto o en cortocircuito.	El tablero de control de la unidad está por omisión en 40° F. Esto anulará el sensor y la unidad continuará funcionando.
5	El sensor de temperatura de la bobina externa está abierto o en cortocircuito.	La unidad está por omisión en 20°F, anulando el sensor. La unidad continuará funcionando. Usará calor eléctrico si está disponible en HEATING (Calefacción). Si no está disponible, usará HEAT PUMP (Bomba de Calor) si la temperatura externa lo permite.
6	Bobina externa - (superior a) 175°F	La unidad se apagará durante 5 minutos, y reiniciará su funcionamiento por 3 minutos. Si la prueba falla 3 veces, la severidad será incrementada y el funcionamiento de la unidad será bloqueado.
7	Bobina interna – (inferior a) 30°F durante 2 minutos consecutivos	El compresor se apagará y la velocidad de High Fan (Ventilador Alto) se activará. Cuando la temperatura de la bobina alcance los 45°F, la unidad reiniciará su funcionamiento luego del tiempo de bloqueo.
8	Ciclo de la unidad – (superior a) 9 veces por hora	La unidad continuará funcionando y será monitoreada.
9	Ciclos de la unidad – (inferior a) 3 veces por hora	La unidad continuará funcionando y será monitoreada.
10	Protección de congelación de la sala	Use esta función solo si Electric Heat (Calor Eléctrico) está disponible. Haga funcionar High Speed (Velocidad Alta) y Electric Heat (Calor Eléctrico) hasta que la temperatura de la sala alcance los 46°F. La unidad mostrará "FRZ" durante el funcionamiento. Registrado únicamente.
11	Problema con el termostato de pared o problema de conexión	La unidad no funcionará.
12	No aplicable	No aplicable
13	El interruptor de límite de presión alta está activado	Si está enfriando o la bomba de calor está activada, apague el compresor. Haga funcionar el ventilador alto hasta que el interruptor se desactive, y luego reinicie el funcionamiento. La tercera vez en 1 hora bloquea la unidad. Aplicable a la unidad de 24K únicamente.
14	No aplicable	No aplicable
15	Error de la bomba de calor	Si la temperatura de la bobina interna es inferior a la temperatura ambiente durante 3 minutos, la unidad usará el calor eléctrico para satisfacer la demanda de calor.
16	Temperatura más allá que los límites de funcionamiento.	Ocurre si el rango de la temperatura ambiente cae por debajo de los 0°F o a más de 130°F. El código de error permanecerá activado hasta que la temperatura alcance el rango de funcionamiento y luego la unidad volverá a su funcionamiento normal.
17	El equipamiento no cumple con la configuración mínima	El compresor deberá ser activado y contar por lo menos con 2 velocidades de ventilación..
18	No aplicable	No aplicable
19	No aplicable	No aplicable
20	No aplicable	No aplicable
21	No aplicable	No aplicable
22	Temperatura de la bobina externa – 30°F durante 2 minutos consecutivos	La unidad usará calor eléctrico para satisfacer las demandas de calefacción, hasta que la temperatura iguale o supere los 45°F. Aplicable para los modelos con Bomba de Calor únicamente.
23	Protección contra escarcha	Hasta que se haga funcionar la descongelación activa durante un mínimo de 6 minutos cuando el tiempo de funcionamiento de la Bomba de Calor sea superior a 60 minutos y la temperatura de la bobina externa sea de 26°F o menos
24	No aplicable	No aplicable



# Registro del Producto

Siga estos tres pasos para proteger la inversión de su nuevo electrodoméstico:

**1** Complete y envíe por correo su Registro de Producción del Consumidor hoy. Puede estar tranquilo sabiendo que lo podremos contactar en el improbable caso de que surja una modificación de seguridad.

**2** Luego de enviar por correo el siguiente registro, guarde este documento en un lugar seguro. El mismo contiene información que necesitará en caso de requerir el servicio técnico. Nuestro número del servicio técnico es 844-GE4-PTAC (o 844-434-7822).

**3** Lea su Manual del Propietario atentamente. Le ayudará a utilizar su nuevo electrodoméstico de forma apropiada.

✂ cut here

## CONSUMER PRODUCT OWNERSHIP REGISTRATION

Three ways to register your appliance:



**SCAN**  
this code with your smart-phone app

**GO ONLINE**  
[geappliances.com/register](http://geappliances.com/register)

**COMPLETE & MAIL**  
this registration card

Product:

Model:

Serial:

Mr.  Mrs.  Ms.

First Name  Last Name

Street Address  Apt.#

Email Address

We'll use your email address to send you information about your product, as well as discounts and other offers from GE Appliances

City  State  ZIP Code

Month  Day  Year  Phone Number  (  )

Date appliance was installed or placed in use

GE Appliances takes your privacy seriously. All information you provide shall be held in strict accordance with the GE Appliances Privacy Policy. Read the full policy at [www.geappliances.com/privacy/privacy\\_policy.htm](http://www.geappliances.com/privacy/privacy_policy.htm).

[geappliances.com/register](http://geappliances.com/register)

Revised 6/15  
245D1499P001

✂ cut here

## FOR CANADIAN CONSUMERS / POUR LES CONSOMMATEURS CANADIENS

MODEL/MODÈLE		SERIAL/SÉRIE		P.O. BOX/C.P. 1780 MISSISSAUGA, ONT. L4V 4G1	
				INSTALLATION DATE Y/A M DATE D'INSTALLATION	
PLEASE COMPLETE AND RETURN THIS CARD IMMEDIATELY TO ENABLE US TO CONTACT YOU IN THE REMOTE EVENT A SAFETY NOTIFICATION IS ISSUED FOR THIS PRODUCT.			VEUILLEZ REMPLIR ET RETOURNER LA PRÉSENTE FICHE SANS TARDER AFIN DE NOUS PERMETTRE DE COMMUNIQUER AVEC VOUS SI JAMAIS UN AVIS DE SÉCURITÉ CONCERNANT CE PRODUIT ÉTAIT ÉMIS.		
CHECK ONE COCHEZ	MR. <input type="checkbox"/> MISS <input type="checkbox"/>	MRS. <input type="checkbox"/> MME <input type="checkbox"/> MS <input type="checkbox"/>	FIRST NAME/PRÉNOM	LAST NAME/NOM	
STREET NO. N° RUE		STREET NAME/RUE		APT.NO./APP./RR#	
CITY/VILLE		PROVINCE	POSTAL CODE/POSTAL		
AREA CODE IND. REG.	TELEPHONE	NAME OF SELLING DEALER/NOM DU MARCHAND			

Canada consumers, visit [geappliances.ca/register/index.jsp](http://geappliances.ca/register/index.jsp)

CORRESPONDENCE  
CORRESPONDANCE

FRENCH  
FRANÇAIS

ENGLISH  
ANGLAIS

245D1499P002  
Revised 06/14

# Registro del Producto

---

Please place in envelope and mail to:

PRODUCT REGISTRATION DEPARTMENT  
PO BOX 34980  
LOUISVILLE KY 40232-4980

Please place in envelope and mail to:  
Veuillez mettre dans une enveloppe et envoyez à :

OWNERSHIP REGISTRATION  
PO BOX 1780  
MISSISSAUGA, ONTARIO  
L4Y 4G1

# Garantía del Zoneline de GE Appliances

Todo el servicio de garantía es provisto por nuestros Centros de Servicio de Fabricación, o un técnico autorizado del Servicio al Cliente (Customer Care®). Para programar una visita del servicio técnico a través de Internet, visítenos en [GEAppliances.com](http://GEAppliances.com), o llámenos al 844. GE4.PTAC (o 844.434.7822). Para acceder al servicio técnico en Canadá, comuníquese con Gordon Williams Corp. At 1.888.209.0999. Cuando llame para solicitar el servicio, tenga los números de serie y modelo disponibles.

Por el Período de:	GE Appliances Reemplazará:
<b>Un Año</b> <i>Desde la fecha de compra original</i>	Cualquier parte del acondicionador de aire que falle debido a un defecto en los materiales o la fabricación. Durante esta garantía limitada de un año, GE Appliances también proveerá, sin costo, todo el trabajo y los costos del servicio relacionados con el reemplazo de la parte que presente defectos.
<b>Cinco Años</b> <i>Desde la fecha de compra original</i>	Cualquier parte del sistema de refrigeración sellado, si alguna pieza del mismo (el compresor, condensador, evaporador y todas las cañerías de conexión incluyendo el sistema de reposición de aire) falla debido a un defecto en los materiales o la fabricación. Durante esta garantía limitada de cinco años, GE Appliances brindará, sin costo, todo el costo de trabajos y servicios relacionados con el reemplazo de la pieza defectuosa.
<b>El Segundo al Quinto Años</b> <i>Desde la fecha de compra original</i>	Del segundo al quinto año desde la fecha de la compra original, GE Appliances reemplazará ciertas piezas que fallen debido a un defecto en los materiales o la fabricación. Las piezas cubiertas son los motores del ventilador, interruptores, termostatos, calefactor con resistencia eléctrica, protectores de calefactores con resistencia eléctrica, sobrecarga del compresor, solenoides, tableros de circuitos, controles auxiliares, termistores, controles de descongelación, bomba ICR, capacitores, varistores y cojinete del calefactor interno. Durante esta garantía limitada adicional de cuatro años, usted será responsable por cualquier trabajo o costos relacionados con el servicio técnico en el hogar.

## Qué No Cubrirá GE Appliances:

- Viajes del técnico del servicio a su hogar para enseñarle sobre el uso del producto.
- Instalación, entrega o mantenimiento inadecuados.  
Si tiene un problema de instalación o el aire acondicionado no posee la capacidad de refrigeración adecuada con relación al uso deseado, contacte a su vendedor minorista o instalador. Usted es responsable de brindar instalaciones de conexión eléctrica adecuadas.
- En ubicaciones comerciales, el trabajo necesario para trasladar la unidad a una ubicación donde esté accesible para que un técnico pueda brindarle el servicio.
- Fallas o daños que resulten de la corrosión debido a la instalación en un ambiente donde haya químicos corrosivos.
- Reemplazo de fusibles o reinicio de disyuntores.
- Falla del producto como resultado de modificaciones en el mismo o debido a un uso irrazonable, incluyendo la falta de mantenimiento razonable o necesario.
- Fallas o daños como resultado de la corrosión, debido a instalaciones en ambientes costeros, excepto los modelos tratados con protección anticorrosiva con aplicación especial de fábrica, de acuerdo con lo designado en el número de modelo.
- Daños sobre el producto ocasionados por un nivel de suministro de voltaje inadecuado, accidente, incendio, inundaciones o catástrofes naturales.
- Daños consecuentes o incidentales sobre la propiedad personal causados por posibles defectos del acondicionador de aire.
- Daño causado luego de la entrega.
- Producto no accesible para brindar el servicio requerido.

**EXCLUSIÓN DE GARANTÍAS IMPLÍCITAS—Su única y exclusiva alternativa es la reparación del producto, como se indica en la Garantía Limitada. Las garantías implícitas, incluyendo garantías implícitas de comerciabilidad o conveniencia sobre un propósito particular, se limitan a un año o al período más corto permitido por la ley.**

Esta garantía se extiende al comprador original y a cualquier dueño subsiguiente de productos comprados para uso hogareño dentro de EE.UU y Canadá. Si el producto está ubicado en un área donde no se encuentra disponible un Proveedor Autorizado del Servicio Técnico de GE Appliances, usted será responsable por el costo de un viaje o se podrá requerir que traiga el producto a una ubicación del Servicio Técnico de GE Appliances Autorizado para recibir el servicio. En Alaska, la garantía excluye el costo de envío o llamadas del servicio a su hogar.

Algunos estados o provincias no permiten la exclusión o limitación de daños fortuitos o consecuentes. Esta garantía le da derechos legales específicos, y es posible que tenga otros derechos legales que varían entre un estado y otro, o entre una provincia y otra. Para conocer cuáles son sus derechos legales, consulte a la oficina de asuntos del consumidor local, estatal o provincial o al Fiscal de su estado.

**Garante : GE Appliances**

# Soporte al Cliente

---

## GE Appliances Sitio Web

¿Desea realizar una consulta o necesita ayuda con su electrodoméstico? ¡Intente a través del Sitio Web de Electrodomésticos de GE Appliances las 24 horas del día, cualquier día del año! Usted también puede comprar más grandiosos productos de GE Appliances y sacar ventaja de todos nuestros servicios a través de Internet diseñados para su conveniencia. En EE.UU.: [GEAppliances.com](http://GEAppliances.com)

---

## Registre su Electrodoméstico

¡Registre su electrodoméstico nuevo a través de Internet, según su conveniencia! Un registro puntual de su producto permitirá una mejor comunicación y un servicio más puntual de acuerdo con los términos de su garantía, en caso de surgir la necesidad. También puede enviar una carta en la tarjeta de inscripción pre-impresa que se incluye con el material embalado. En EE.UU.: [GEAppliances.com/register](http://GEAppliances.com/register)

---

## Servicio Programado

El servicio de reparación de expertos de GE Appliances está a sólo un paso de su puerta. ¡Conéctese a través de Internet y programe su servicio a su conveniencia cualquier día del año! En EE.UU.: [GEAppliances.com/ge/service-and-support/service.htm](http://GEAppliances.com/ge/service-and-support/service.htm) o llame al 800.432.2737 durante el horario comercial habitual.

---

## Garantías Extendidas

Adquiera una garantía extendida de GE Appliances y aprenda sobre descuentos especiales que están disponibles mientras su garantía aún está vigente. La puede adquirir en cualquier momento a través de Internet. Los Servicios de GE Appliances aún estarán allí cuando su garantía caduque. En EE.UU.: [GEAppliances.com/ge/service-and-support/shop-for-extended-service-plans.htm](http://GEAppliances.com/ge/service-and-support/shop-for-extended-service-plans.htm) o llame al 800.626.2224 durante el horario comercial habitual.

---

## Conectividad Remota

Para solicitar asistencia con la conectividad de red inalámbrica (para modelos con activación remota), visite nuestro sitio Web en [GEAppliances.com/ge/connected-appliances/](http://GEAppliances.com/ge/connected-appliances/) o llame al 800.220.6899 en EE.UU.

---

## Piezas y Accesorios

Individuos calificados para realizar el servicio técnico de sus propios electrodomésticos podrán solicitar el envío de piezas o accesorios directamente a sus hogares (se aceptan las tarjetas VISA, MasterCard y Discover). Ordene a través de Internet hoy durante las 24 horas del día. En EE.UU.: [GEApplianceparts.com](http://GEApplianceparts.com) o por teléfono al 877.959.8688 durante el horario comercial habitual.

**Las instrucciones que figuran en este manual cubren los procedimientos que serán realizados por cualquier usuario. Otros servicios técnicos generalmente deberían ser derivados a personal calificado del servicio. Se deberá tener cuidado, ya que una reparación indebida podrá ocasionar que el funcionamiento no sea seguro.**

---

## Contáctenos

Si no se encuentra satisfecho con el servicio que recibió de GE Appliances, comuníquese con nosotros a través de nuestro sitio Web con todos los detalles, incluyendo su número telefónico, o escriba a:

En EE.UU.: General Manager, Customer Relations | GE Appliances, Appliance Park | Louisville, KY 40225 [GEAppliances.com/ge/service-and-support/contact.htm](http://GEAppliances.com/ge/service-and-support/contact.htm)